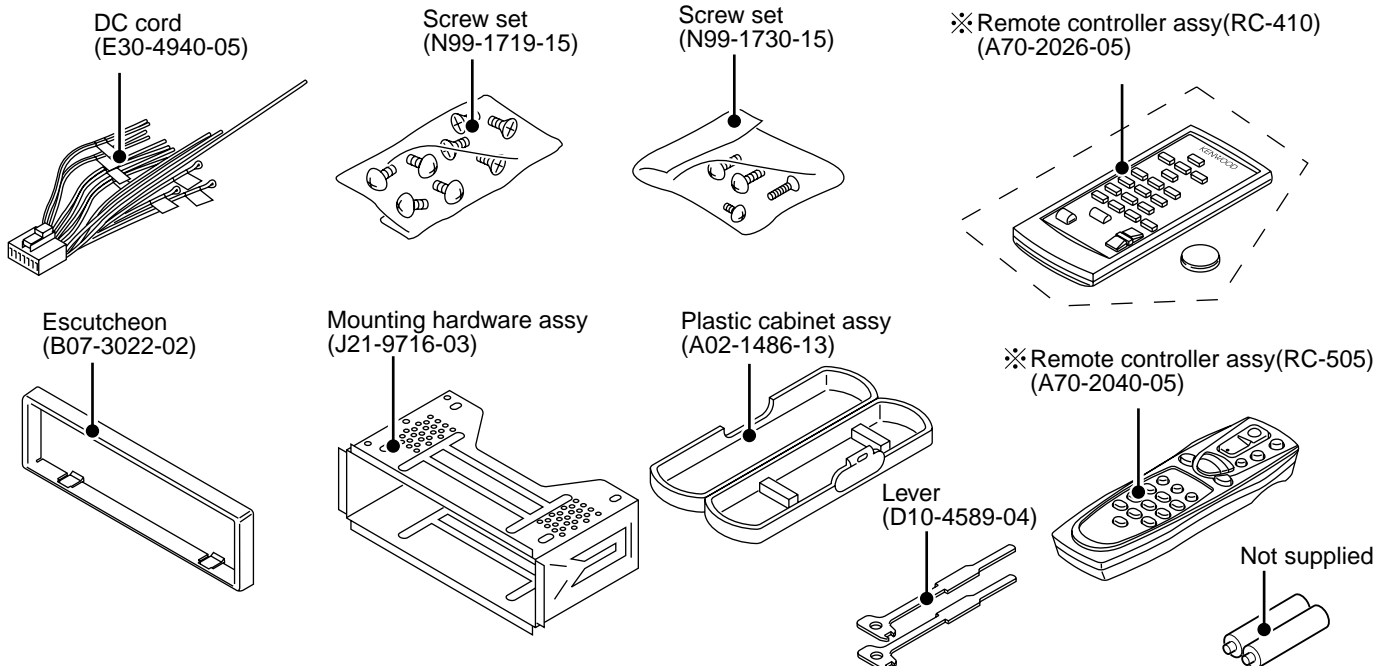
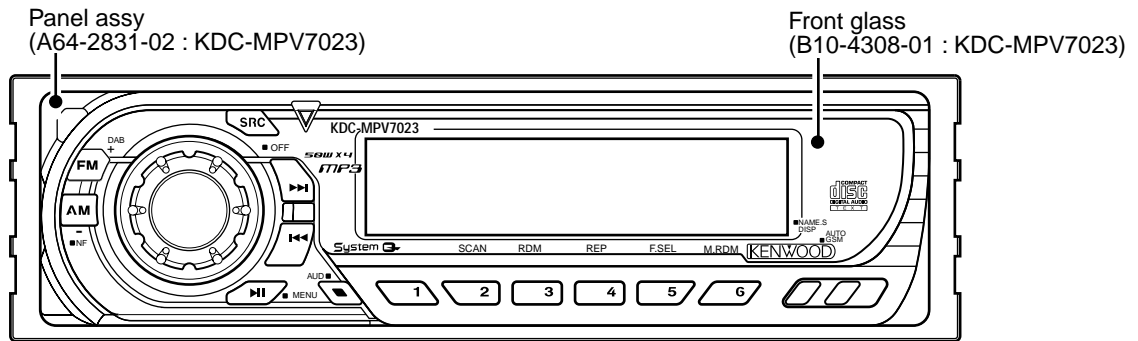
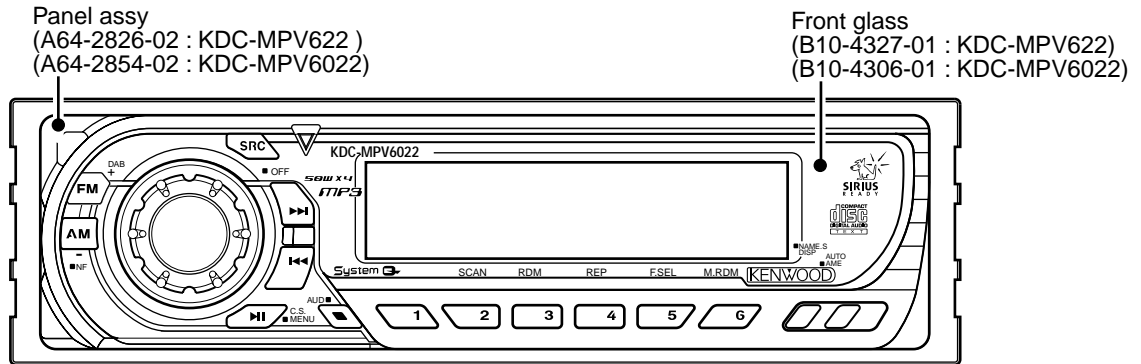


KDC-MPV6022 KDC-MPV622 KDC-MPV7023 SERVICE MANUAL

●CD MECHANISM OPERATION DESCRIPTION is not in this service manual.

Please refer to service manual for X92-4450-0X (B51-7889-00).

CD mechanism extension cord (24PIN) : W05-0934-00

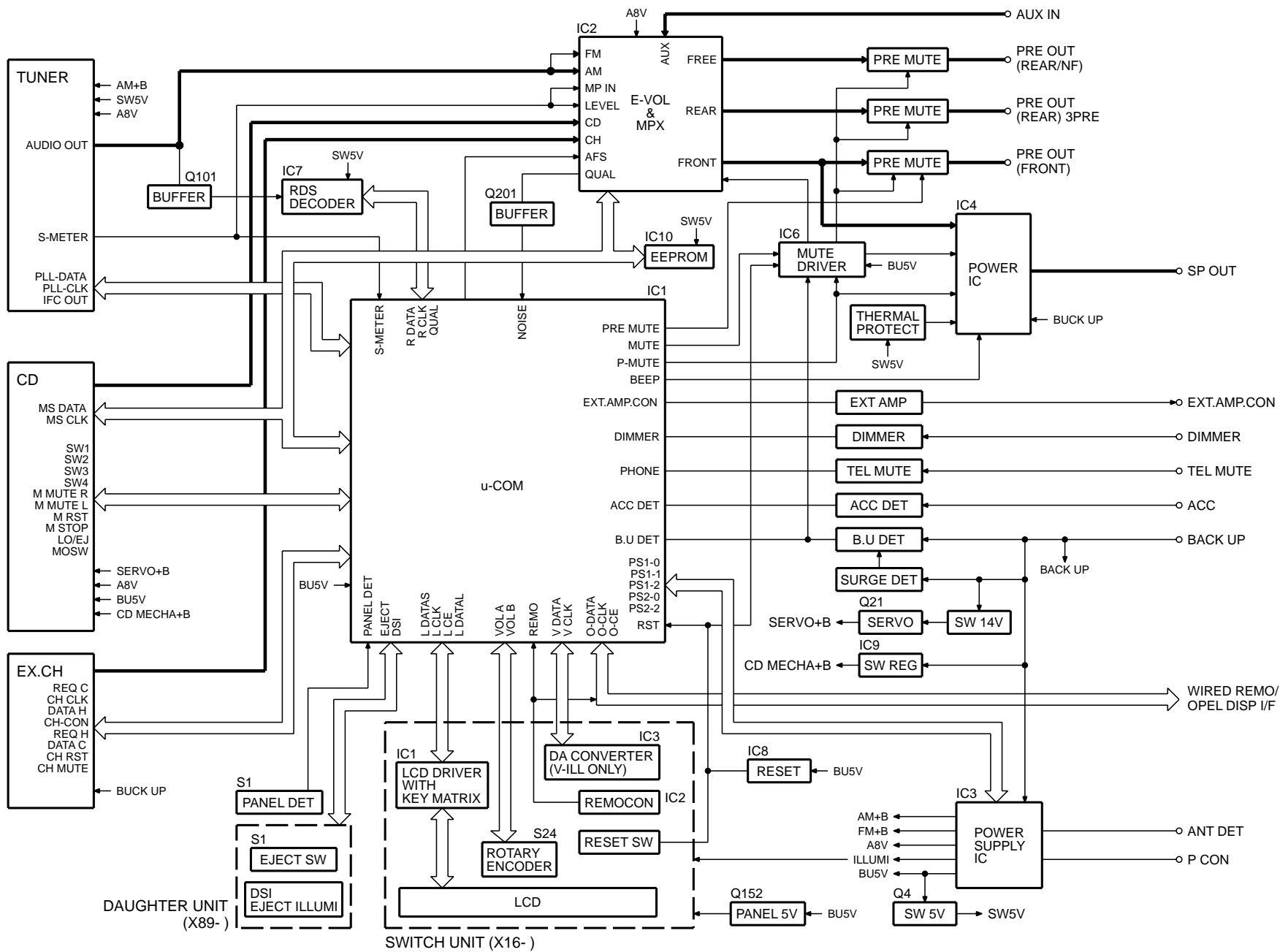


※ Depends on model. Refer to the parts list.



KDC-MPV/6022/622/7023

BLOCK DIAGRAM



KDC-MPV6022/622/7023

COMPONENTS DESCRIPTION

● CD PLAYER UNIT (X32-5410-00)

Ref.No.	Component Name	Application/Functions	Operation/Condition/Compatibility
IC1	TAR5S33	3.3V AVR	For audio circuit(3.3V AVR)
IC2	NJM4580V	Low pass filter	2nd low pass filter for audio signals
IC4	BA5824FP	4CH BTL driver	Focusing coil, tracking coil, spindle motor and sled motor driver, disc loading and eject operation.
IC6	L88MS33T	AVR	3.3V AVR
IC7	703033BYGC-J02	MI-COM	Mechanism control microcomputer.
IC8	TC74HCT7007AF	Level shifter	Level shift for voltage 3.3V to 5.0V.
IC11	UPD63760GJ	CD signal processor	Generation of RF signal based on the signals from the APC circuit and pickup, Focusing, tracking, sled and spindle servo processing. Automatic adjustment (focusing, tracking, gain, offset and balance) operations. Digital signal processing (DSP, PLL, sub-codes, CIRC error correction, audio data Interpolation) operations, and MP3 decoder.
IC13	MSM51V4265EP70	DRAM	Data buffer
Q1	DTA143XUA	A.8V SW	When Q5 gose "ON", Q1 is ON
Q2	DTC124EUA	3.3V AVR SW	When P ON signal gose "ON" Q2 is ON
Q3	DTC124EUA	A.8V SW	When P ON signal gose "ON" Q4 is ON
Q4	MCH6101	APC	LD power control
Q5	DTA143EUA	D.5V SW	When P ON signal gose "L" Q5 is ON
D1	DAN202U	Protection diode	Laser diode protection

● ELECTRIC UNIT (X25-9570-12/13/21)

Ref.No.	Component Name	Application/Functions	Operation/Condition/Compatibility														
IC1	UPD703030GC012	System microcomputer	Control for TUNER unit, CD mechanism, volume & tone, LCD driver and external CD changer unit														
IC2	TDA7411	Electronic volume & N.C.MPX	Control for source selector, volume & tone, and FM multiplex detector.														
IC3	BA4911-V4	Power supply IC	Power supply for the units (Bu5V, Audio8V, FM+B, AM+B, P-con and ANT-con). <table border="1" style="margin-left: 20px;"> <tr> <td>SW1</td> <td>OUT</td> </tr> <tr> <td>1.5-3.0V</td> <td>Audio ON</td> </tr> <tr> <td>3.5-5.0V</td> <td>Audio, P-con ON</td> </tr> <tr> <td>7.0V-</td> <td>Audio, P-con, P-ant ON</td> </tr> <tr> <td>SW2</td> <td></td> </tr> <tr> <td>2.0-3.0V</td> <td>Illumination, FM ON</td> </tr> <tr> <td>4.0V-</td> <td>Illumination, AM ON</td> </tr> </table>	SW1	OUT	1.5-3.0V	Audio ON	3.5-5.0V	Audio, P-con ON	7.0V-	Audio, P-con, P-ant ON	SW2		2.0-3.0V	Illumination, FM ON	4.0V-	Illumination, AM ON
SW1	OUT																
1.5-3.0V	Audio ON																
3.5-5.0V	Audio, P-con ON																
7.0V-	Audio, P-con, P-ant ON																
SW2																	
2.0-3.0V	Illumination, FM ON																
4.0V-	Illumination, AM ON																
IC4	TA8273H	Audio power amp IC	Amplifier for audio signal to derive for 4channel speakers (50W maximum for each channel).														
IC6	HD74HC27FP	Muting control IC	Control for timing for mute.														
IC8	PST3436UL	Reset IC	When detection voltage goes below 3.5V or less Reset IC output change to "L" signal.														
IC9	SI-8050JD	Switching regulator	Power supply for MP3 CD mechanism unit.														
Q1	2SC4081	Serge detection	When backup voltage become more than 24V output is "L" (momentary power down) / When backup voltage become less than 24V output is "H".														
Q2	2SC4081	Backup detection	When BU voltage supplied output is "L" / When BU voltage not supplied or momentary power down is detected output is "H".														
Q3	2SC4081	ACC detection	When ACC voltage supplied output is "L".														
Q4	2SA1036K	SW 5V	When base voltage is "L" Q4 is ON.														
Q21	2SD2375	AVR	Servo regulator.														
Q22	UMC2N	SW	Servo SW.														
Q23	UMC2N	IC control	Power supply IC controller.														
Q31	UN5213	Dimmer control	When base voltage is "H" dimmer is ON.														
Q41	2SC4081	SW	Switching regulator control SW.														

KDC-MPV6022/622/7023

COMPONENTS DESCRIPTION

Ref.No.	Component Name	Application/Functions	Operation/Condition/Compatibility
Q151	UN5114	DSI driver	When base voltage level is "L" DSI LED is light up / When base voltage level is "H" DSI LED turns off / When panel assy is pull off, cut off the supply to panel 5V AVR.
Q152	2SA1576A	Panel 5V SW	When panel assy attached to the unit, Q152 base goes "L" and supply to panel 5V AVR to panel assy .
Q153	UN5213	Illumination control	When Q153 base voltage to "H", illumination is light up.
Q154	2SA1577	Illumination control	When Q153 base voltage to "H", illumination is light up.
Q201	UN5216	Buffer amp	Noise buffer amp.
Q350	UN5112	Pre & NF mute SW	When base voltage to "L", drive to pre & NF mute SW(Q351,355,357).
Q351	UN5216	Pre mute SW	When base voltage to "H", muting to the pre Lch or NF Lch line.
Q352	UN5216	Pre mute SW	When base voltage to "H", muting to the pre Rch or NF Rch line.
Q354	UN5112	Pre & NF mute SW	When base voltage to "L", drive to pre & NF mute SW(Q32,356,358).
Q355	UN5216	Pre mute SW	When base voltage to "H", muting to the front Lch line.
Q356	UN5216	Pre mute SW	When base voltage to "H", muting to the front Rch line.

● SWITCH UNIT (X16-2040-10)

Ref.No.	Component Name	Application/Functions	Operation/Condition/Compatibility
IC1	LC75808W	LCD driver	Drive for LCD unit
IC2	PNA4S22M	Remote control IC	Receiving for the remote control unit
IC3	M62333FP	D/A converter IC	Variable illumination data convert to DC voltage
Q1	2SC4081	VLCD AVR	When base voltage level goes 7.9V Q1 is ON
Q2	DTA114EUA	Remo.on SW	When base voltage level goes "L" the power supply IC2 is turned "ON"
Q3	2SC4081	Key illumination SW	Lights up for green key illumination when base voltage level goes "H"
Q4	2SC4081	Key illumination SW	Lights up for red key illumination when base voltage level goes "H"
Q50,Q53,Q56	2SC4081	Variable key illumination SW	Lights up for blue variable key illumination when base voltage level goes "0V to 5V"
Q51,Q54,Q57	2SC4081	Variable key illumination SW	Lights up for green variable key illumination when base voltage level goes "0V to 5V"
Q52,Q55,Q58	2SC4081	Variable key illumination SW	Lights up for red variable key illumination when base voltage level goes "0V to 5V"

KDC-MPV6022/622/7023

MICROCOMPUTER'S TERMINAL DESCRIPTION

● IC1: ELECTRIC UNIT (X25-9570-12/13/21)

Pin No.	Name	I/O	Description/Processing Operation
1	PLL CLK	O	CLK output terminal to Front End
2	N.C	-	Open
3	PANEL DET	I	Panel assy detect terminal (Panel assy come off : L)
4	IC2 SDA	I/O	Control Data input / output terminal for electric volume, CD mechanism
5	IC2 SCL	O	Clock DATA output terminal for electric volume, CD mechanism
6	VDD	-	Power supply input terminal (BU 5V)
7	VSS	-	GND
8	FLIP-DET	I	Panel assy open detect terminal (panel close : L)
9	BEEP	O	Beep audio signal output terminal
10	REMO	I	Remote control signal input terminal
11	R QUAL	I	RDS decoder QUAL signal input terminal
12	R DATA	I	RDS decoder Data signal input terminal
13	L CE	O	CE output for LCD driver IC
14	VILL DATA	O	Variable illumination DATA out put terminal for D/A converter
15	VILL CLK	O	Valuable illumination CLK out put terminal for D/A converter
16	DSI	O	Disc guide illumination control terminal
17	DIM CON	O	Dimmer control terminal
18	TEST	-	Test terminal
19	ILL CON	O	Illumination control terminal
20	VOL A	I	Volume key input terminal
21	VOL B	I	Volume key input terminal
22	MOSW	O	CD mechanism motor IC control output terminal (Loading,eject ,brake :L)
23	LO/EJ	O	CD mechanism loading / eject control terminal
24	M STOP	O	Request signal (Mechanism is STOP) output to CD mechanism (active L)
25	M RST	O	Reset signal output to CD mechanism (active L)
26	MUTE	O	Muting signal output terminal
27	LOE/LIM SW	I	Down SW detection from CD mechanism
28	M-MUTE L	I	Request for muting signal from CD mechanism (Mute request : L)
29	M-MUTE R	I	Request for muting signal from CD mechanism (Mute request : L)
30	PANEL 5V	O	Control for Panel5V AVR
31	RESET	I	Reset terminal (Active : L)
32	XT1	I	Sub clock input terminal (32.768KHz)
33	XT2	I	Sub clock input terminal (32.768KHz)
34	REGC	-	Regulator output terminal
35	X2	I	Main clock input terminal (20MHz)
36	X1	I	Main clock input terminal (20MHz)
37	VSS	-	GND
38	VDD	-	Power supply input terminal (BU 5V)
39	NC	-	Open
40	IC2 TYPE1	I	Electric volume condition setting terminal
41	IC2 TYPE0	I	Electric volume condition setting terminal
42	TYPE2	I	Destination setting terminal
43	TYPE1	I	Destination setting terminal
44	TYPE0	I	Destination setting terminal
45	CD MECHA+B	O	AVR control for CD mechanism (For MP3 AVR ON :L)
46	SW 5V	O	Control terminal for SW5V AVR (ON : L , OFF : Hi-Z)
47	PS2-0	O	Power supply IC control terminal
48	PS2-1	O	Power supply IC control terminal
49	PS1-0	O	Power supply IC control terminal
50	PS1-1	O	Power supply IC control terminal

KDC-MPV6022/622/7023

MICROCOMPUTER'S TERMINAL DESCRIPTION

Pin No.	Name	I/O	Description/Processing Operation
51	PS1-2	O	Power supply IC control terminal
52	B.U-DET	I	BU detect input terminal (BU detect : L)
53	ACC-DET	I	ACC detection input terminal (ACC detect : L)
54	DIMMER	I	Illumination detect terminal from CAR (illumination ON : L)
55	BVDD	-	Power supply input terminal (BU 5V)
56	BVSS	-	Open
57	EXT AMP CON	O	EXT. amp control terminal (Active H)
58	SVR	O	SVR control for Audio power IC
59	P-MUTE	O	Muting control for Audio power IC
60	P-STBY	O	STBY control for Audio power IC (Power IC ON : H)
61	NC	-	Open
62	PRE MUTE R	O	Rch pre mute output terminal (Active H)
63	PRE MUTE L	O	Lch pre mute output terminal (Active H)
64	TUNER	O	Noise detection (FM seek,AM search : L)
65	O-DATA	O	DATA signal output for EXT. display (Handling for OPEL display)
66	O-CLK	O	CLK signal output for EXT. display (Handling for OPEL display)
67	O-CE	O	CE signal output for EXT. display (Handling for OPEL display)
68	LX-RST	O	Reset signal output to EXT. unit
69	LX-CON	O	Control signal output to EXT. unit (ON : H , OFF : L)
70	AVCONT	O	Control for A/D reference voltage
71	AVDD	-	Power supply input terminal (BU 5V)
72	AVSS	-	Open
73	AVREF	I	A/Dreference voltage input terminal
74	PHONE	I	Mobil phone detection input terminal
75~81	NC	-	GND
82	S-METER	I	S meter detection input terminal
83	NOISE	I	FM noise detection input terminal
84	IFC-OUT	I	IFC OUT input terminal
85	LX-MUTE	I	Request signal input terminal from EXT.unit (Mute ON : L)
86	LX-REQ-M	O	Request signal output terminal to EXT.unit (Request : L)
87	R-CLK	I	RDS decoder CLK input terminal
88	LX-REQ-S	I	Request signal input terminal from EXT.unit (Request : L)
89	KEY-REQ	I	Request for communicate from LCD driver IC (KEY input : L)
90	LO.S SW	I	Loading start SW detection input terminal (Loading start : L)
91	12EJE SW	I	12cm CD disc eject SW detection input terminal (12cm disc : L)
92	EJECT	I	Eject detection terminal (KEY input : L)
93	8EJE SW	I	8cm CD disc eject SW detection input terminal (Not used)
94	LX-DATA-S	I	DATA signal input from EXT. unit
95	LX-DATA-M	O	DATA signal output to EXT. unit
96	LX-CLK	I/O	CLK signal input/output to EXT. unit
97	L DATAL	I	DATA input terminal from LCD driver IC
98	L DATAS	O	DATA output terminal to LCD driver IC
99	L CLK	O	CLK output terminal to LCD driver IC
100	PLL DATA	I/O	Data input / out put terminal to Front-end

KDC-MPV6022/622/7023

TEST MODE

1. How to enter the test mode

- While holding the preset 1 key and 3 keys, reset the unit.

2. How to exit from the test mode

- Reset the unit, ACC OFF, power OFF, and come off the front panel assy for the unit.

3. Initial status in the test mode

- Sources : All OFF.
- Display : All segments were lit.
- Volume : -10 dB (displayed as 30)
- Loudness : OFF
- CRSC : OFF regardless of the presence of switching function.
- SYSTEM Q : Flat.
- Aux : ON
- Display color : white (variable color display model only)
- Beep sound : ON

4. Special display in Tuner mode

When any of the following messages is displayed in Tuner mode, the Front-end (F/E) may be bad condition.

- "TNE2P NG": The EEPROM is set to the default (unstable values) because the F/E was shipped without passing through the adjustment process, etc.
- "TNCON NG": Communication with the F/E to micro-processor is not possible.

5. Forced switching of K3I

Each press of the Preset 6 key in Tuner mode should switch K3I from AUTO → Forced Wide → Forced Middle → Forced Narrow → AUTO. The initial status is AUTO and the display shows these modes as follows.

- AUTO : FMA
- Forced Wide : FMW
- Forced Middle : FMM
- Forced Narrow : FMN

6. Test mode specifications of the CD receiver

- Forced ejection is inhibited in the reset start operation.
When the unit is reset while a CD is loaded in it, the CD is not recognized by resetting.
- Each press of the Track Up key jumps to the following track numbers:
No. 9 → No. 15 → No. 10 → No. 11 → No. 12 → No. 13 → No. 22 → No. 14 → No. 9 (The cycle restarts from here.)
- Each press of the Track Down key jumps to the previous track number to the track being played.

- When the number of total tracks of an MP3 disc is nine or less, unit playback from a track 1.
- When the media to CD-DA, unit playback from track No.28 by key operation of preset 1 key.

7. Audio-related specifications

- A short press of the Q key initiates the audio adjustment mode.
- Pressing the * key on the remote initiates the audio adjustment mode.
- Continuous holding of a remote control key is inhibited.
- Bass, Middle and Treble are adjusted in 3 steps of -8 / 0 / +8 with the Track Up/down keys (default is 0).
- Balance is adjusted in 3 steps of Left L15 / 0 / R15 Max with the Track Up/down keys (default is 0).
- Fader is adjusted in 3 steps of Rear15 / 0 / F15 Max with the Track Up/down keys (default is 0).
- HPF is adjusted in 2 steps of Through/170Hz (or 200Hz) with the Track Up/down keys (default is through).
- LPF is adjusted in 2 steps of Through/120Hz with the Track Up/down keys (default is through).
- Bass f, Bass Q, Bass EXT, Middle f, Middle Q and Treble f are not dealt with by the audio adjustment.

8. Menu-related specifications

- A short press of the PLAY/PAUSE key initiates the Menu mode.
- Pressing the DNPP key on the remote initiates the Menu mode.
- Continuous holding of a remote control key is inhibited.
- Contrast is adjusted press of the Track up/down key in 3 steps of 0 / 5 / 10 (default is 5).

9. Backup current measurement

When the unit is reset while ACC is OFF (i.e. by turning Backup ON), the MUTE terminal goes OFF in 2 seconds in place of 15 second. (The CD mechanism is not activated at this time.)

KDC-MPV6022/622/7023

TEST MODE

10. Special display when the display is all on

Pressing the Preset keys while the power is ALL OFF displays the following information.

PRESET 1	Version display (8 digits, Month/Day/Hour/Minute) (Display) SYS xxxxxxxx
PRESET 2	Serial No. display (8 digits) (Display) S. No. xxxxxxxx
PRESET 3	Short press: View power ON time. (The All OFF period is not counted.) Long press/hold: Clear power ON time. (Display) PonTim xxxxx Max. 60,000 (hours)
PRESET 4	Short press: Display CD operation time. Long press/hold: Clear CD operation time (Display) CDTime xxxxx Max. 60,000 (hours)
PRESET 5	Short press: Display CD ejection count. Long press/hold: Clear CD ejection count. (Display) EjeTim xxxxx Max. 60,000 (times)
PRESET 6	Short press: Display Panel open/close count. Long press/hold: Clear Panel open/close count. (Display) PnCnt xxxxx Max. 60,000 (times)
FM	ROM correction version information (Display) ROM Rxxxx If not mounting ROM correction chip set display shows ROM R_

11. Change the condition of TUNER channel space selection (K/M type only)

While holding the preset 1 key and 5 keys, reset the unit.

Security-related information

1. Forced Power ON mode (All models)

Even when the security is approved, resetting the unit while holding the Q and Preset 4 keys makes it possible to turn the power ON for 30 minutes.

After 30 minutes have elapsed, it is not possible to return to the previous condition unless the unit is reset again.

2. Method of registration of the security code after EEPROM (Tuner unit assy) replacement (Code security model)

1. Enter the test mode. (See 1. How to enter the test mode)
2. Press the MENU key to enter the MENU mode.
3. Press and hold down the Track up/down key for 1 second until "Security" is displayed.
4. Enter the code using the FM/AM/TARCK up/down keys.
 - FM key: number is up
 - AM key: number is dawn
 - Track up key: move the cursor for right side
 - Track down key: move the cursor for left side

5. Hold down the Track up key for at least 3 seconds and the message, "RE-ENTER" appears, so once again enter the code according to Step 3 above.

6. Press and hold the Track up key for 3 seconds until "APPROVED" is displayed.

7. Exit from the test mode. (See 2. How to exit from the test mode)
(Note) All Clear is not applicable to the security code of this model.

3. Simplified method of clearing the security code (K, E Type only)

1. While the code entry is requested, press and hold the TRACK UP key for 3 seconds while holding the DISP key pressed. (This should turn "----" off.)

2. Enter "KCAR" from the remote.

- Press the 5 key on the remote twice, and then press the Track Up key. (This enters "K".)
- Press the 2 key on the remote 3 times, and then press the Track Up key. (This enters "C".)
- Press the 2 key on the remote once, and then press the Track Up key. (This enters "A".)
- Press the 7 key on the remote twice, and then press the Track Up key. (This enters "R".)

3. The security code is cleared and the unit enters the ALL OFF mode.

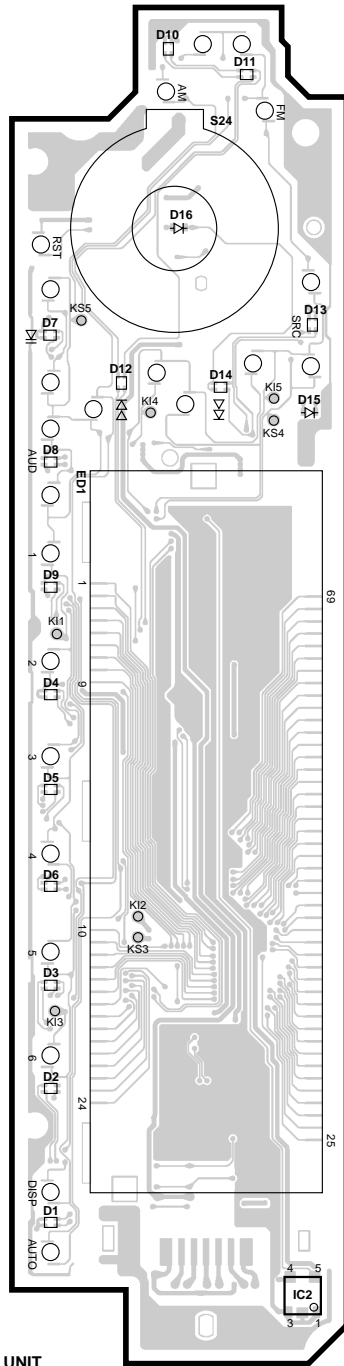
4. If you commit a mistake in the code entry, the unit enters the code request mode again.

KDC-MPV6022/622/7023

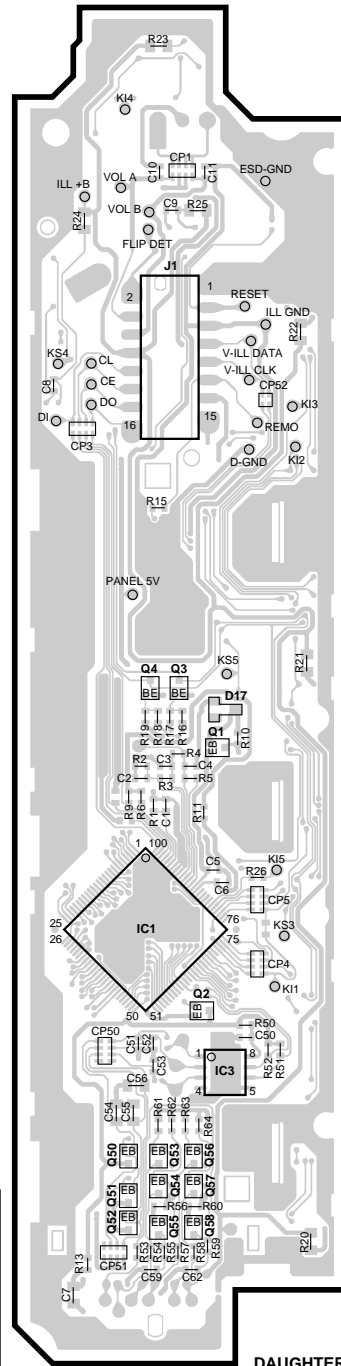
PC BOARD

(COMPONENT SIDE VIEW) (FOIL SIDE VIEW)

SWITCH UNIT X16-2040-10 (J74-1454-22)

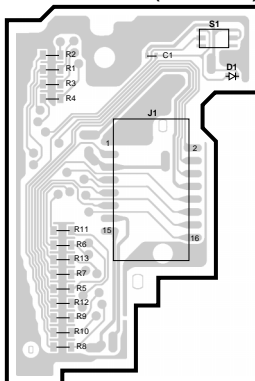


SWITCH UNIT X16-2040-10 (J74-1454-22)

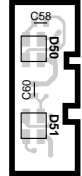


X16-2040-10

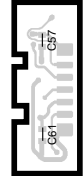
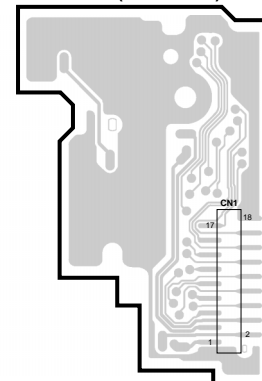
Ref. No	address
IC1	4C
IC2	6B
IC3	5D
Q1	4D
Q2	5D
Q3	4D
Q4	4C
Q50	5C
Q51	5C
Q52	5C
Q53	5D
Q54	5D
Q55	5D
Q56	5D
Q57	5D
Q58	5D

DAUGHTER UNIT
X89-2570-10 (J74-1450-02)

X16 B/2

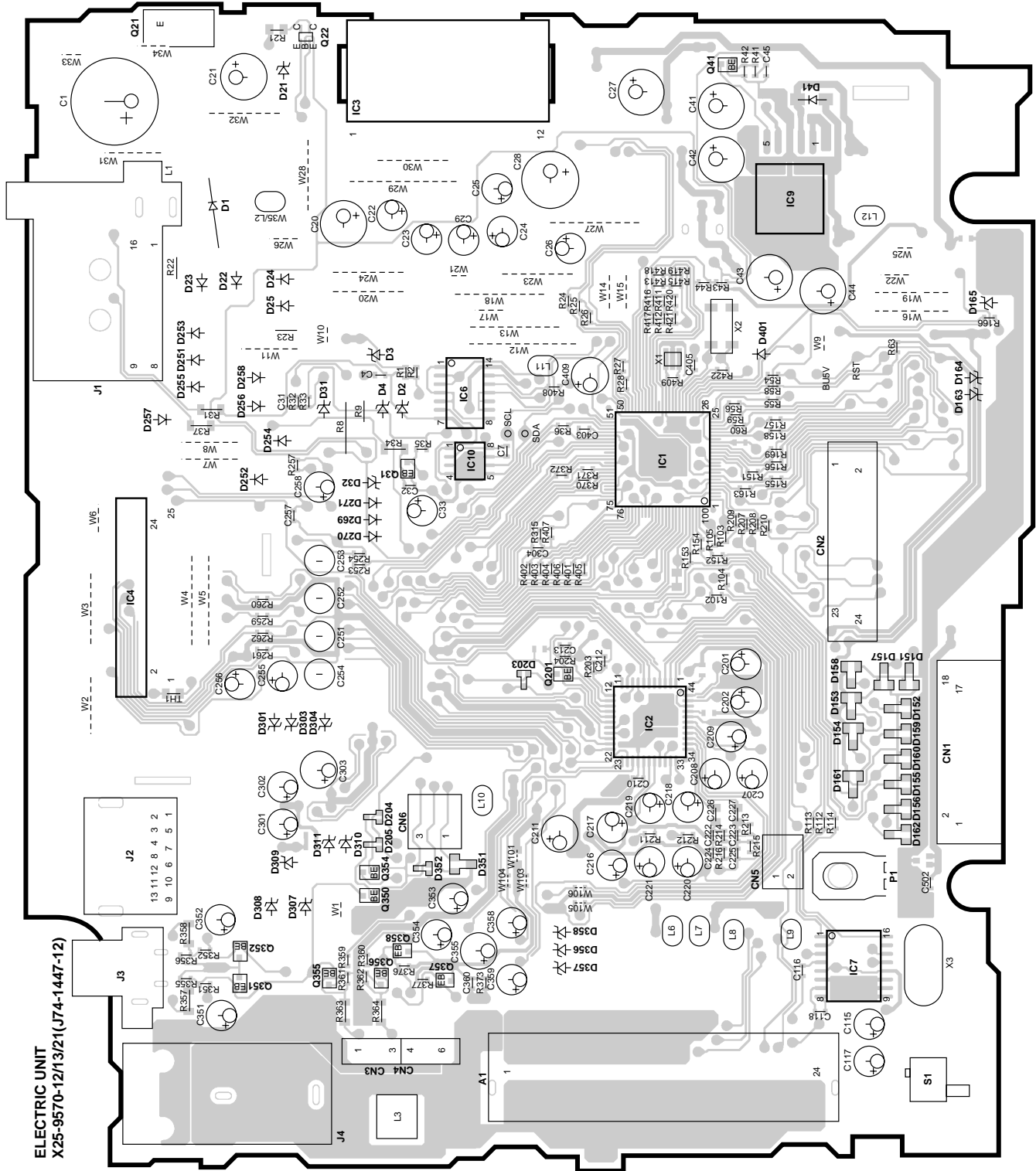


X16 B/2

DAUGHTER UNIT
X89-2570-10 (J74-1450-02)

KDC-MPV6022/622/7023

PC BOARD (COMPONENT SIDE VIEW)

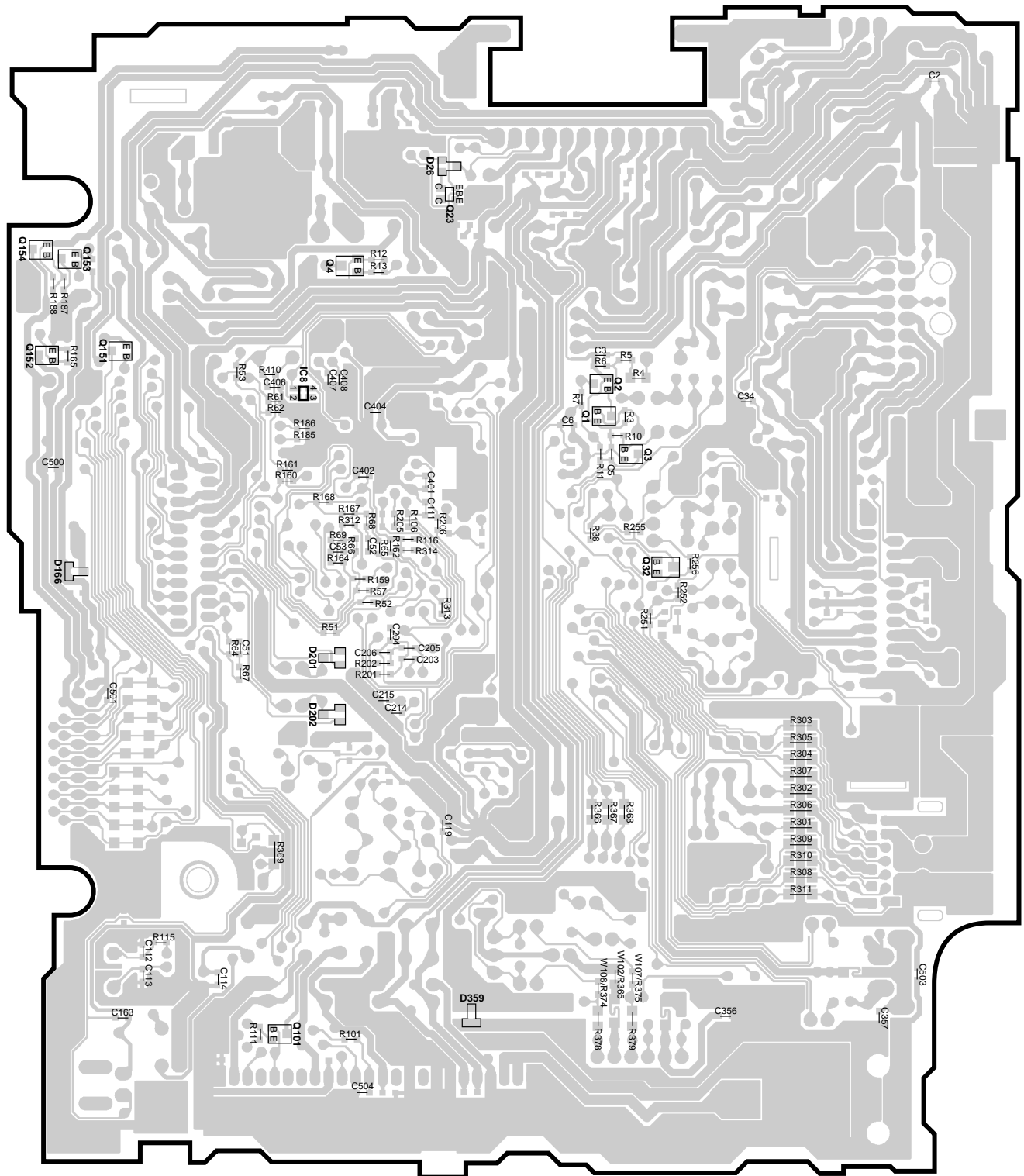


ELECTRIC UNIT
X25-9570-12/13/21(J74-1447-12)

X25-9570-12/13/21

Ref. No	address	Ref. No	address	Ref. No	address	Ref. No	address
IC1	3I	IC9	2I	Q201	4H	Q355	5G
IC2	4I	Q21	1G	Q350	5H	Q356	5H
IC3	2H	Q22	1G	Q351	5G		
IC4	4F	Q31	3H	Q352	5G		
IC6	3H	Q41	4I	Q354	5H		

PC BOARD (FOIL SIDE VIEW)



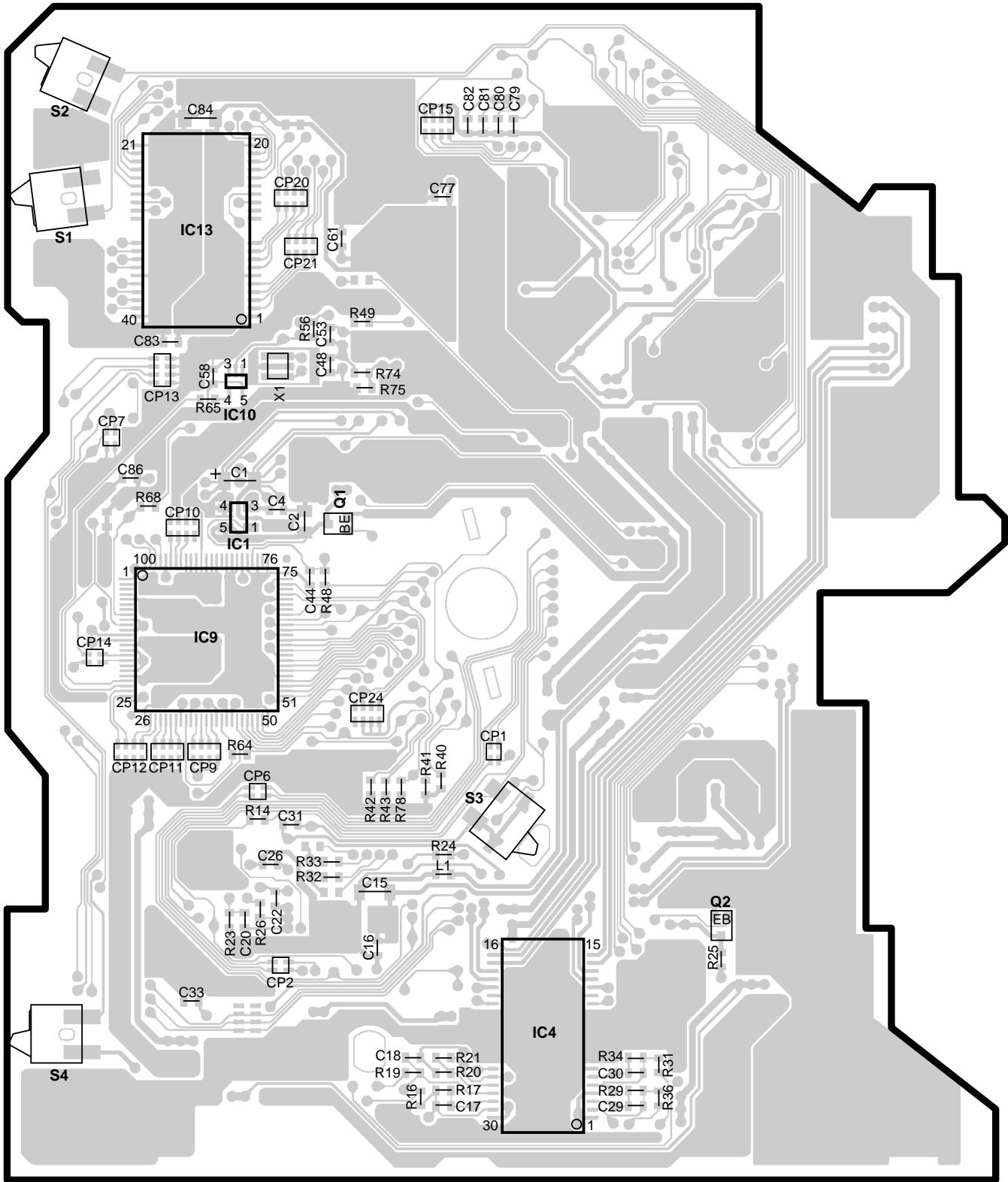
ELECTRIC UNIT
X25-9570-12/13/21 (J74-1447-12)

X25-9570-12/13/21

Ref. No	address	Ref. No	address
IC8	3L	Q23	2M
Q1	3M	Q151	3K
Q2	3M	Q152	3K
Q3	3M	Q153	2K
Q4	2L	Q154	2K

KDC-MPV6022/622/7023 PC BOARD (COMPONENT SIDE VIEW)

CD PLAYER UNIT X32-5410-00 (J74-1487-12)

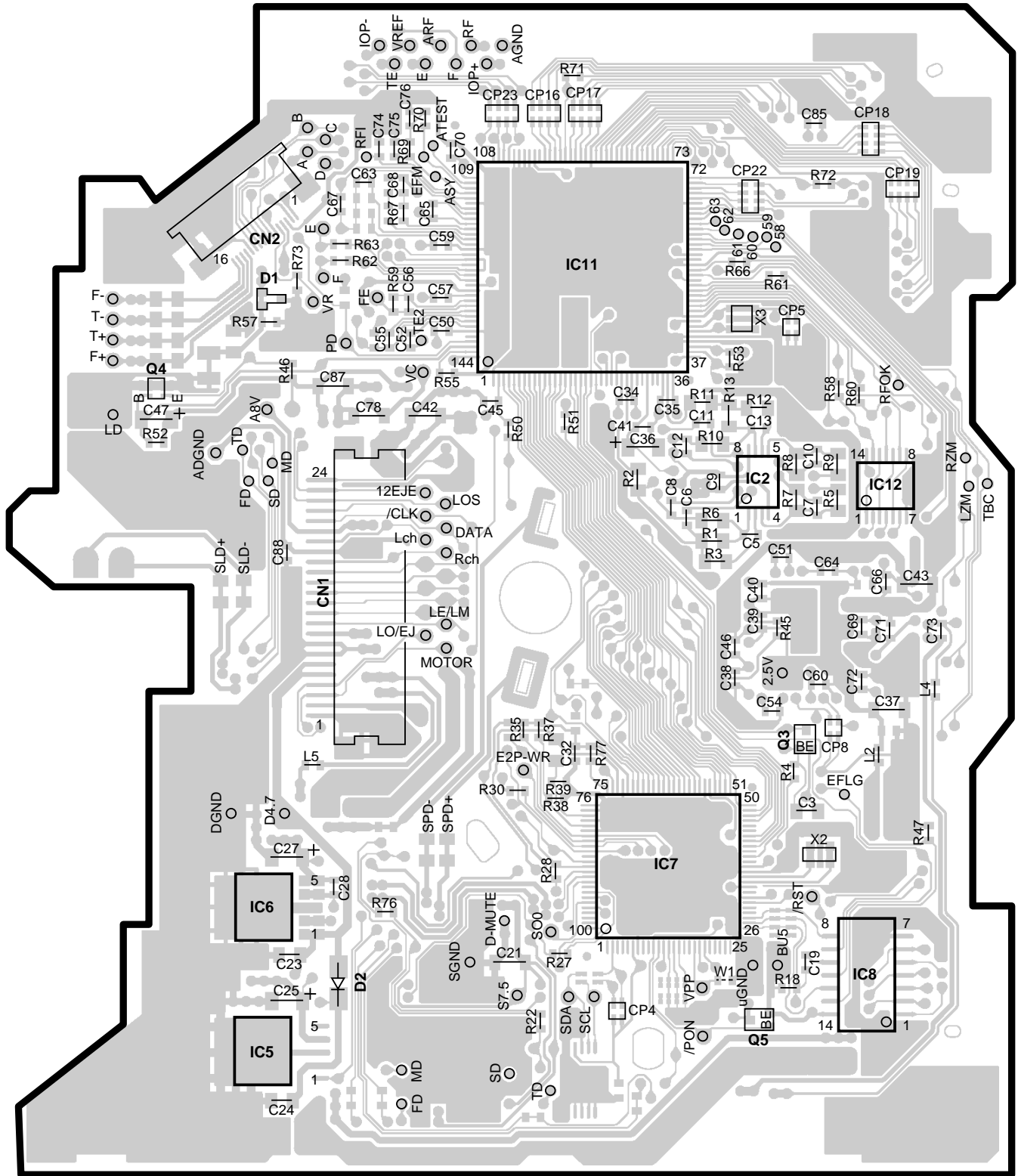


X32-5410-00

Ref. No	address
IC1	4Q
IC4	6R
IC13	2Q
Q1	3Q
Q2	5S

PC BOARD (FOIL SIDE VIEW)

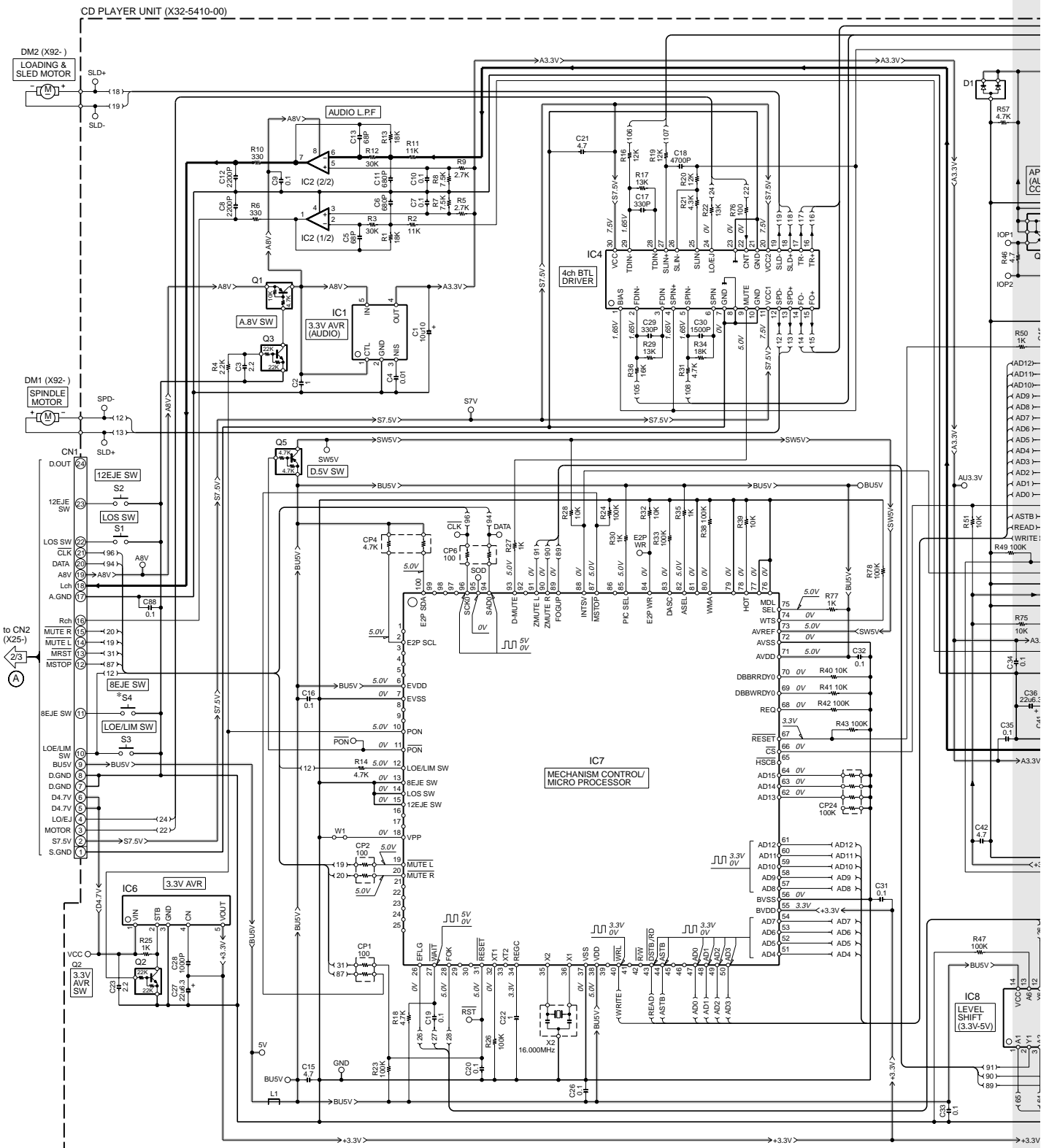
CD PLAYER UNIT X32-5410-00 (J74-1487-12)

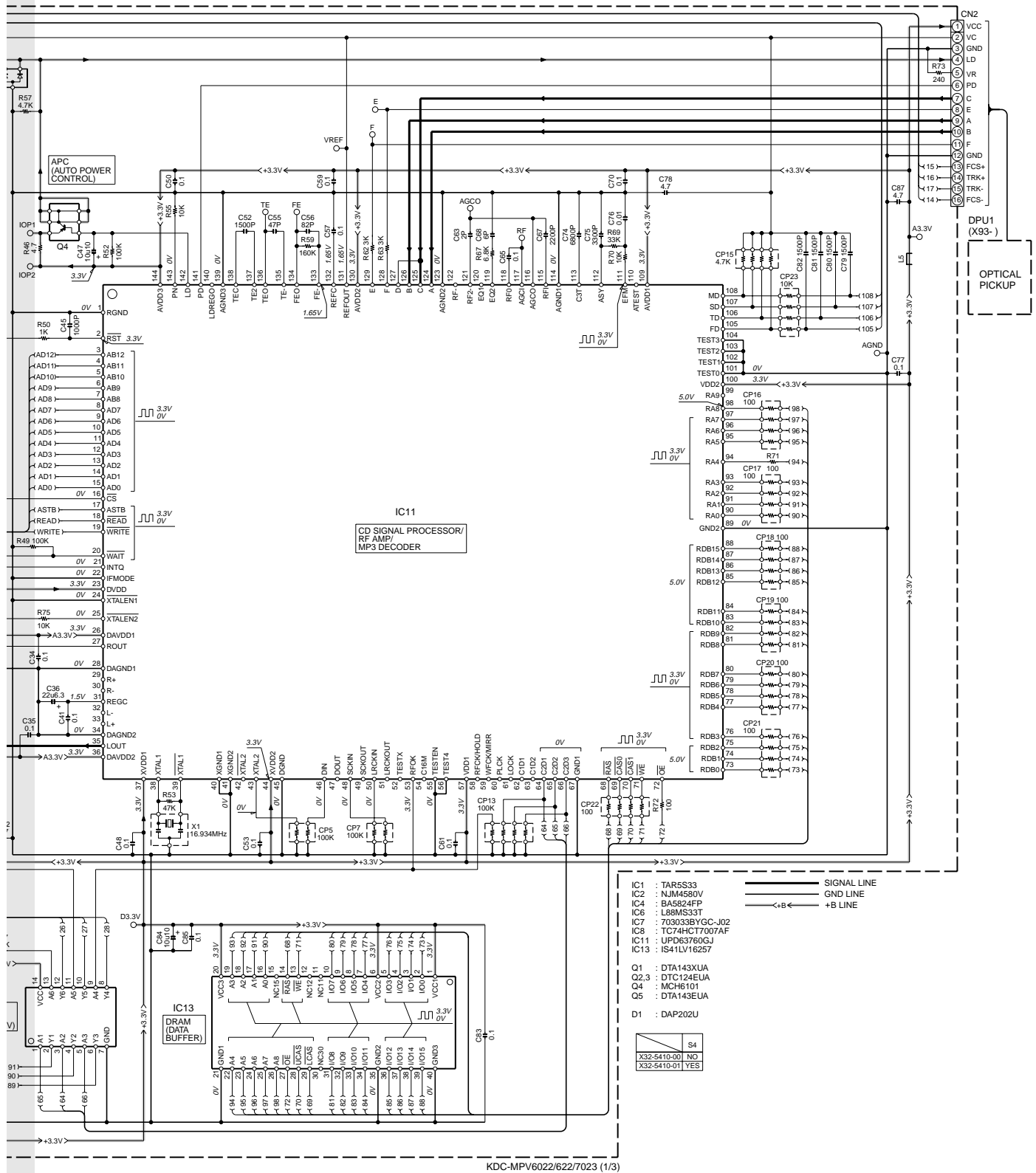


X32-5410-00

Ref. No	address	Ref. No	address
IC2	3X	Q3	5X
IC6	5V	Q4	3U
IC7	5W	Q5	6X
IC8	6X		
IC11	2W		

KDC-MPV6022/622/7023





IC1 : TAR5533
 IC2 : NJM4580V
 IC3 : IS41LV16257
 IC4 : MCP6101
 IC5 : DTA143EUA
 IC6 : L88MS33T
 IC7 : 703033BYGC-J02
 IC8 : TC74HCT7007AF
 IC9 : UPD3760CJ
 IC10 : DAP202U
 IC11 : CD SIGNAL PROCESSOR/MP3 DECODER
 IC12 : DTA143XUA
 IC13 : DRAM DATA BUFFER

Q1 : DTA143XUA
 Q2,3 : DTC124EUA
 Q4 : MCP6101
 Q5 : DTA143EUA

D1 : DAP202U

	S4
X32-5410-00	NO
X32-5410-01	YES

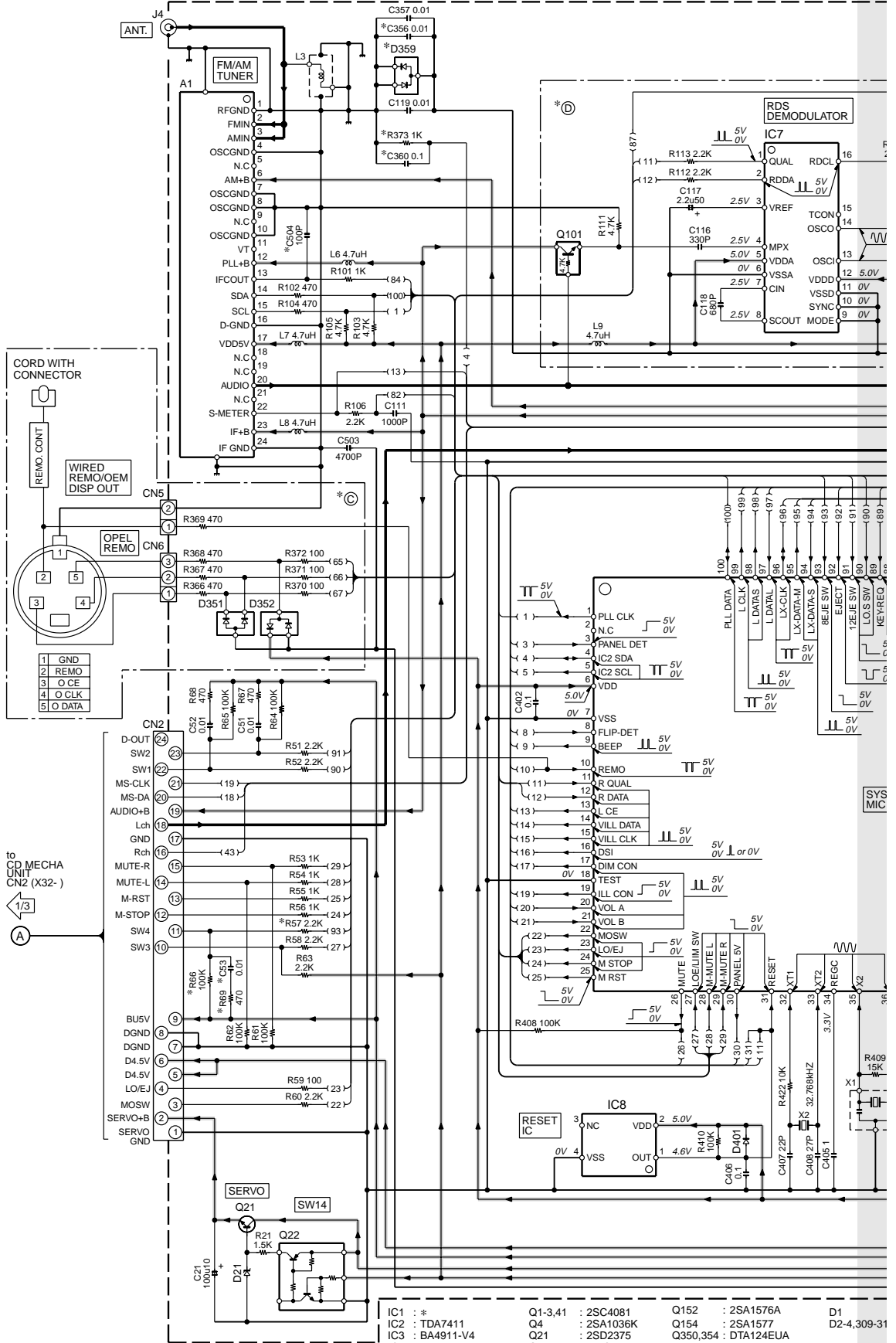
CAUTION : For continued safety, replace safety critical components only with manufacturer's recommended parts (refer to parts list).

△ Indicates safety critical components. To reduce the risk of electric shock, leakage-current or resistance measurements shall be carried out (exposed parts are acceptably insulated from the supply circuit) before the appliance is returned to the customer.

• DC voltages are as measured with a high impedance voltmeter. Values may vary slightly due to variations between individual instruments or/and units.

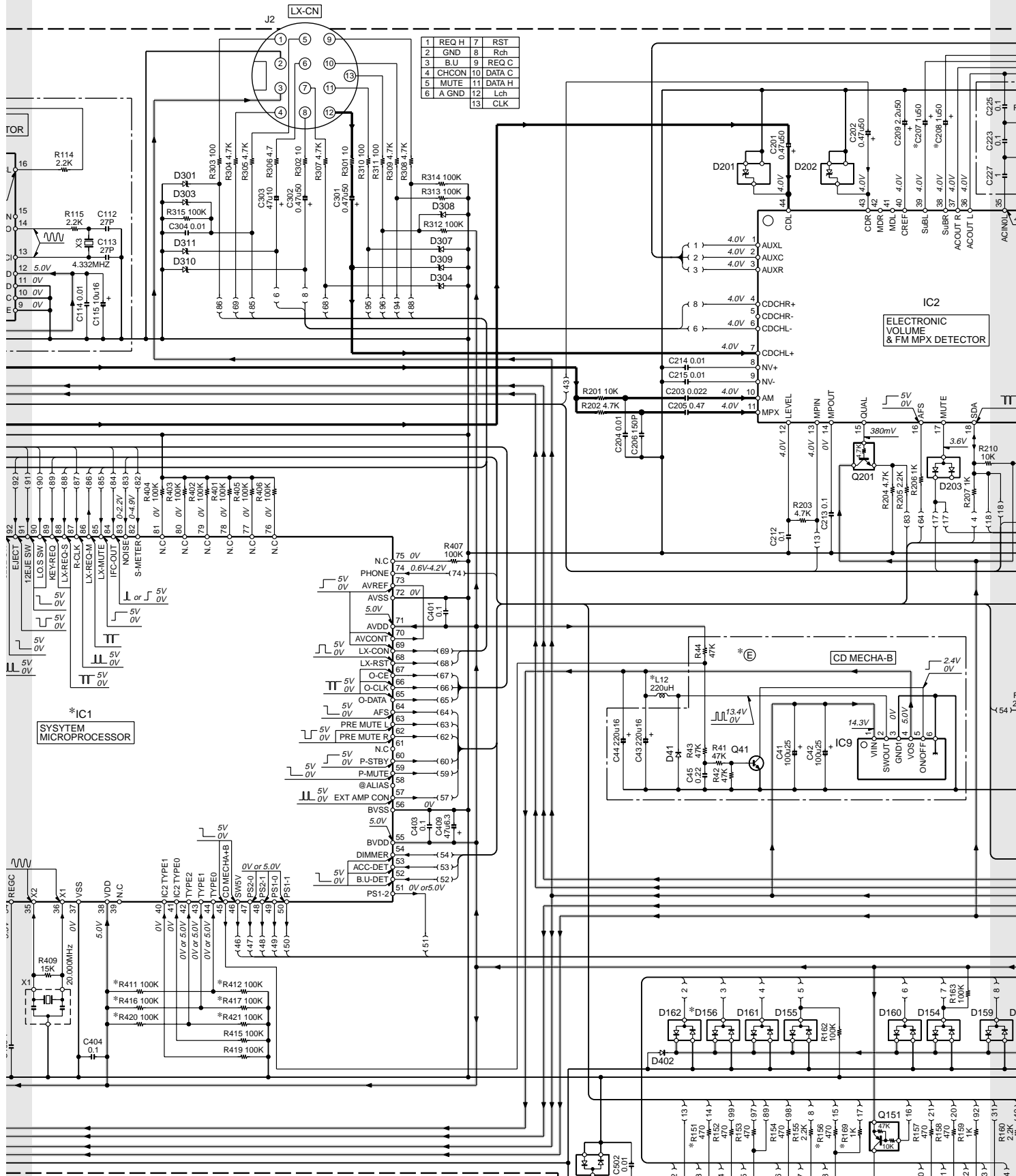
KDC-MPV6022/622/7023

ELECTRIC UNIT (X25-9570-12/13/21)



IC1 : *	Q1-3,41 : 2SC4081	Q152 : 2SA1576A	D1
IC2 : TDA7411	Q4 : 2SA1036K	Q154 : 2SA1577	D2-4,309-31
IC3 : BA4911-V4	Q21 : 2SD2375	Q350,354 : DTA124EUA	D21
IC4 : TA8273H	Q22,23 : UMC2N		D22-25,251
IC6 : HD74HC27FP	Q31,153 : DTC144EUA		D31
IC7 : SA16581T	Q32 : DTA123JK		D31
IC8 : PST3436UL	Q101,201,351,352,353,354 : DTC143TUA		D32
IC9 : SI-8050D	355-358 : DTC114YUA		D41
IC10 : BR24C01AF-W			

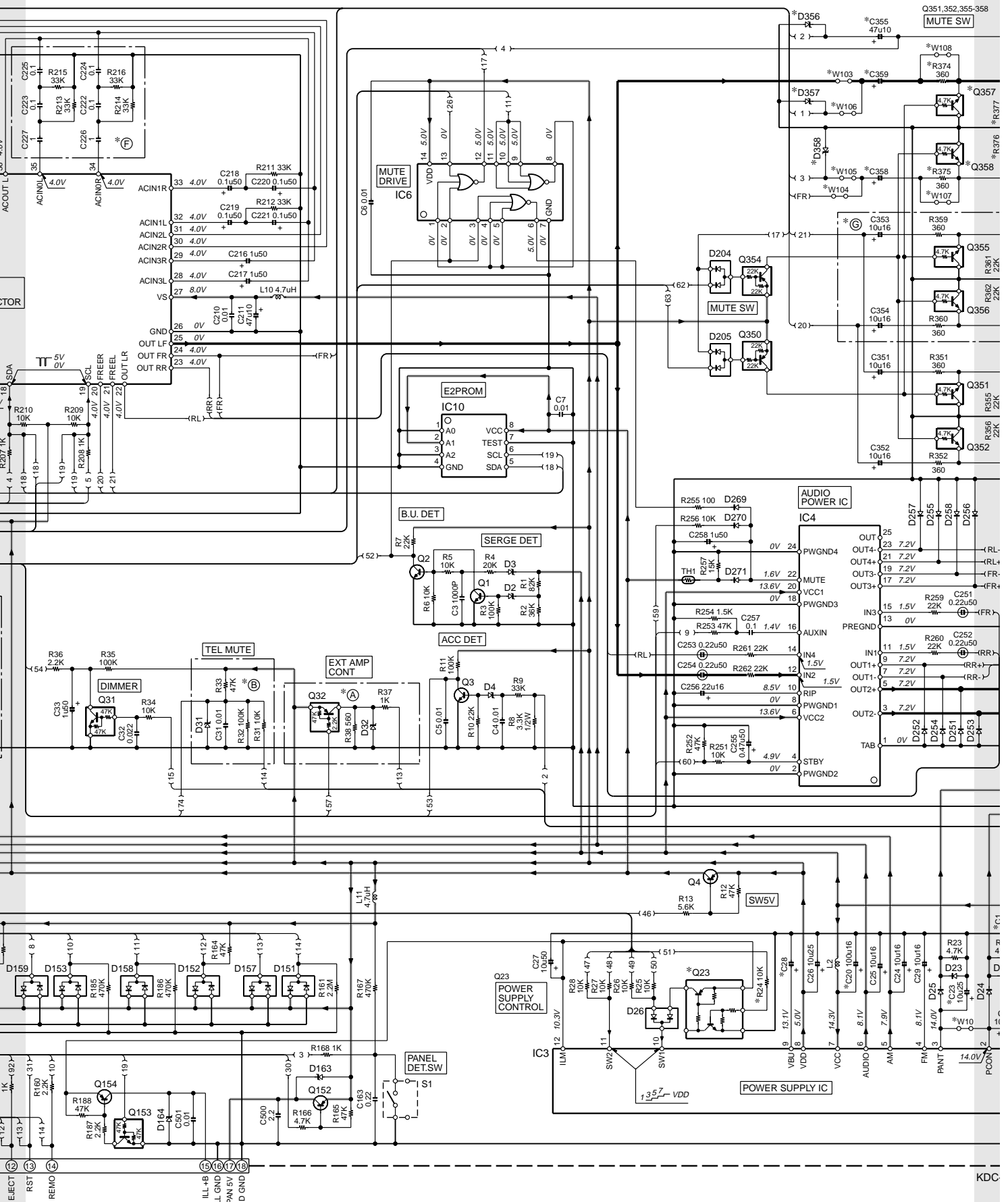
KDC-MPV6022/622/7023



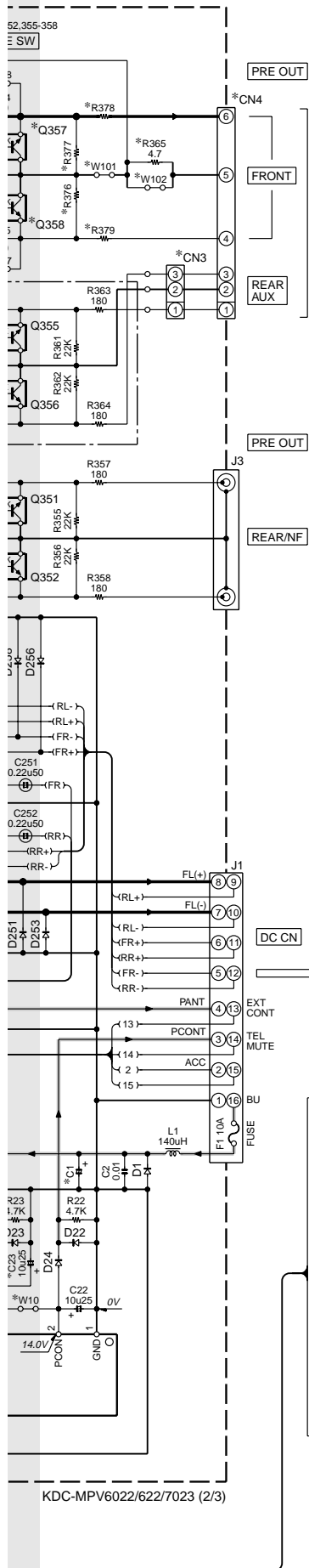
- D1 : 1N5393G-M6
- D2-4,309-311,357,358 : MA4068(N)-M
- D21 : MA4082(N)-L
- D22-25,251-258 : AM012
- D26 : DA020U
- D31 : HZS5B1
- D32 : MA4056-M
- D41 : SFPB-54V
- D151-162 : KDS226
- D163,301,303,304,307,308,356,402 : MA4062-L
- D164 : MA4120-L
- D166,352,359 : DA204U
- D201,202 : RD6.8M(B2)
- D203-205 : DAP202U
- D269-271,401 : 1SS133
- D351 : MA3062WA

——— SIGNAL LINE
 ——— GND LINE
 ——— +B LINE
 ——— -B LINE

KDC-MPV6022/622/7023



KDC-MPV6022/622/7023



(X25-957X-XX)

MODEL NAME	UNIT No.	(A)	(F)	(B)	(C)	(D)	(E)	(G)	C1	C20,53,504	C23	C28	C207,208,360	C355	C356	C358,359	CN3	CN4	D156	D356-359
KDC-X569(K)	0-10	YES		NO		NO	YES		3900u50	NO	YES	C90-2926-05	YES	NO	YES	10u50	NO	YES	NO	NO
KDC-MP522(K)	0-11	NO		NO		NO	YES		2200u50	NO	YES	C90-2926-05	NO	NO	YES	NO	NO	YES	NO	NO
KDC-MPV622(K)	0-12	NO		NO		NO	YES		2200u50	NO	YES	C90-2926-05	NO	NO	YES	NO	NO	YES	NO	NO
KDC-MPV6022(K)	0-13	NO		NO		NO	YES		2200u50	NO	YES	C90-2926-05	YES	YES	YES	0.47u50	NO	YES	YES	YES
KDC-MPV7023(M/K)	0-21	NO		NO		NO	YES		2200u50	NO	YES	C90-2926-05	YES	YES	YES	0.47u50	NO	YES	YES	YES
KDC-M6024G/GY(E2)	2-71	NO		NO		NO	YES		2200u50	NO	NO	C90-2926-05	NO	NO	YES	0.47u50	NO	NO	NO	NO

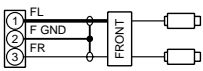
(X25-9712-XX)

MODEL NAME	UNIT No.	(A)	(F)	(B)	(C)	(D)	(E)	C1	C20	C23,53,207,208,355,360,504	C28	C356	C358,359	CN3	CN4	D156	D356-359
KDC-M6024Y(E)	2-70	NO		YES		YES		2200u50	NO	NO	C90-2926-05	YES	0.47u50	YES	NO	NO	NO
KDC-M6024(E)	2-71	NO		YES	NO	YES		3300u50	YES	NO	C90-2980-05	YES	NO	YES	NO	NO	NO
KDC-V6524(E)	2-72	NO		YES	NO	NO		3300u50	NO	NO	C90-2980-05	YES	NO	YES	NO	YES	NO

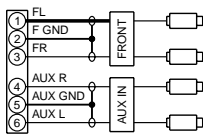
(X25-980X-XX)

MODEL NAME	UNIT No.	(A)	(F)	(B)	(C)	(D)	(E)	(G)	C1	C20	C23	C28	C53,504	C207,208	C355	C356	C358,359	C360	CN3	CN4	D156	D356-359
KDC-X469(K)	0-10	YES		NO		NO	YES		3900u50	YES	YES	C90-2980-05	NO	YES	NO	YES	NO	NO	NO	NO	NO	NO
KDC-422(K)	0-11	NO		NO		NO	YES		3300u50	YES	YES	C90-2980-05	NO	NO	NO	YES	NO	NO	YES	NO	NO	NO
KDC-4022(K)	0-12	NO		NO		NO	YES		3300u50	YES	YES	C90-2980-05	NO	NO	NO	YES	NO	NO	YES	NO	NO	NO
KDC-6023(M/K)	0-21	NO		NO		NO	YES		3300u50	YES	YES	C90-2980-05	NO	YES	YES	0.47u50	NO	YES	NO	YES	NO	YES
KDC-6024Y(E2)	2-71	NO		NO		NO	YES		3300u50	YES	NO	C90-2980-05	NO	NO	NO	YES	NO	NO	NO	NO	NO	NO
RX-591CD(J)	0-01	NO		NO		NO	NO		3300u50	YES	YES	C90-2980-05	YES	YES	NO	NO	NO	NO	YES	NO	YES	NO

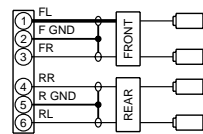
(E30-6229) : KDC-MP522/MPV622
KDC-422/4022/V6524
KDC-6024/Y
KDC-M6024/G/Y/GY



(E30-6228) : KDC-MPV6022
KDC-MPV7023
KDC-6023



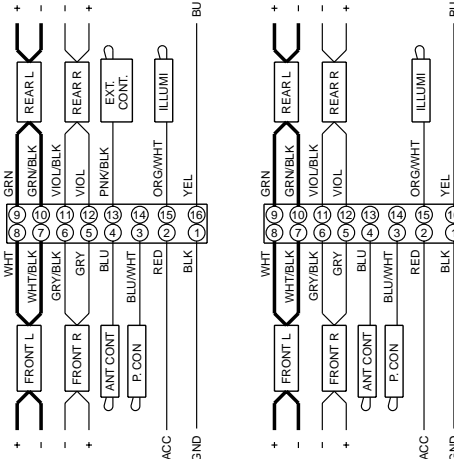
(E30-6227) : KDC-X569
KDC-X469



(X89-257X-XX)

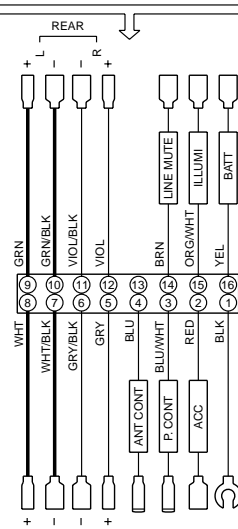
MODEL NAME	UNIT No.	X89-2570-10	X89-2602-70
KDC-422(K)			
KDC-4022(K)			
KDC-6023(M/K)			
KDC-6024Y(E2)			
KDC-M6024Y(GY(E2))			
KDC-MP522(K)			
KDC-MPV6022(K)			
KDC-MPV622(K)			
KDC-MPV7023(M/K)			
KDC-X469(K)			
KDC-X569(K)			
RX-591CD(J)			
KDC-6024(E)			
KDC-M6024(E)			
KDC-M6024Y(E)			
KDC-V6524(E)			

DC CORD (E30-4939-05) : KDC-X569/469

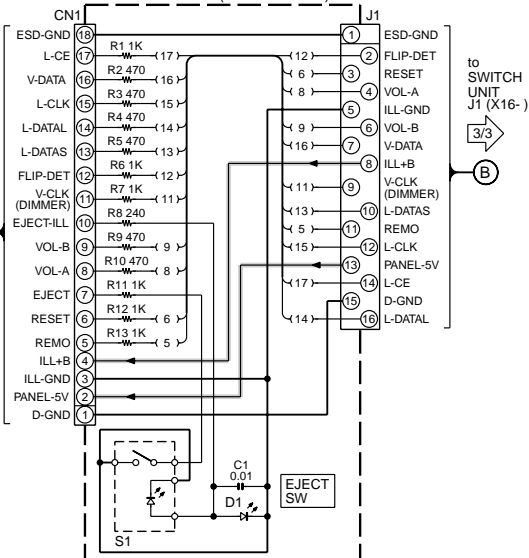


DC CORD (E30-4940-05) : KDC-422/4022/6023/MP522 : KDC-MPV622/6022/7023

DC CORD (E30-6070-05) : RX-591CD



DAUGHTER UNIT (X89-2XXX-XX)



KDC-MPV6022/622/7023

(X25-957X-XX)

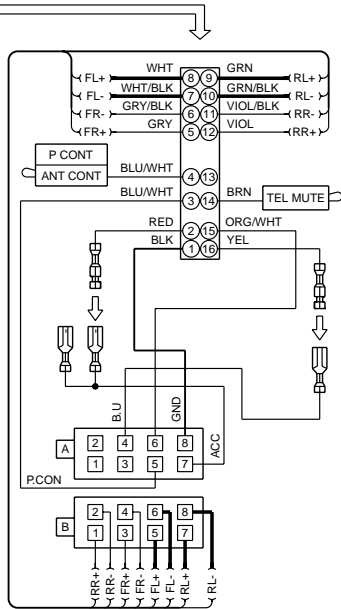
MODEL NAME	IC1	L12	Q23	Q357, 358	R24	R57, 66,69	R151, 156,416	R169, 417	R365, 373	R374, 375	R376, 377	R378, 379	R411	R412	R420	R421	W10	W101-104	W105-108	
KDC-X569(K)	UPD703030GC012	NO	YES	YES	YES	NO	NO	YES	NO	NO	360	22K	180	NO	YES	NO	YES	NO	YES	NO
KDC-MP522(K)	UPD703030GC012	NO	YES	NO	YES	NO	NO	YES	NO	NO	NO	NO	NO	NO	NO	YES	NO	NO	YES	NO
KDC-MPV622(K)	UPD703030GC012	NO	YES	NO	YES	NO	NO	YES	NO	NO	NO	NO	NO	NO	YES	NO	YES	NO	NO	NO
KDC-MPV6022(K)	UPD703030GC012	NO	YES	NO	YES	NO	NO	YES	NO	NO	9.1K	1K	NO	YES	YES	NO	NO	NO	NO	YES
KDC-MPV7023(M/K)	UPD703030GC012	NO	YES	NO	YES	NO	NO	YES	NO	NO	9.1K	1K	YES	NO	NO	YES	NO	NO	NO	YES
KDC-M6024G(GY/E2)	UPD703030GC012	NO	NO	NO	NO	NO	NO	YES	NO	NO	NO	NO	NO	NO	YES	YES	NO	NO	NO	NO

(X25-9712-XX)

MODEL NAME	IC1	L12	Q23, 357,358	R24,57,66,69,365, 373-379,411,416	R151, 156,421	R169, 420	R412, 417	W10	W101-108
KDC-M6024Y(E)	UPD703030GC012	NO	NO	NO	NO	YES	YES	YES	NO
KDC-M6024(E)	UPD703030GC013	YES	NO	NO	NO	YES	YES	YES	NO
KDC-6024(E)	UPD703030GC013	YES	NO	NO	NO	YES	YES	YES	NO
KDC-V6524(E)	UPD703030GC013	YES	NO	NO	NO	YES	YES	YES	NO

(X25-980X-XX)

MODEL NAME	IC1	L12	Q23	Q357, 358	R24	R57,66,69, 151,156	R169	R365, 373	R374, 375	R376, 377	R378, 379	R411	R412	R416	R417	R420	R421	W10	W101-104	W105-108	
KDC-X469(K)	UPD703030GC013	YES	YES	YES	YES	NO	YES	NO	360	22K	180	YES	NO	NO	YES	NO	YES	NO	NO	YES	NO
KDC-422(K)	UPD703030GC013	YES	YES	NO	YES	NO	YES	NO	NO	NO	NO	NO	YES	YES	NO	NO	YES	NO	NO	NO	NO
KDC-4022(K)	UPD703030GC013	YES	YES	NO	YES	NO	YES	NO	NO	NO	NO	NO	YES	YES	NO	YES	NO	NO	NO	NO	NO
KDC-6023(M/K)	UPD703030GC013	YES	YES	NO	YES	NO	YES	YES	NO	9.1K	1K	YES	NO	YES	NO	NO	YES	NO	NO	NO	YES
KDC-6024Y(E2)	UPD703030GC013	YES	NO	NO	NO	NO	YES	NO	NO	NO	NO	NO	YES	NO	YES	YES	NO	YES	NO	YES	NO
RX-591CD(J)	UPD703030GC013	YES	YES	NO	YES	YES	NO	NO	NO	NO	NO	YES	NO	NO	YES	NO	YES	NO	NO	NO	NO

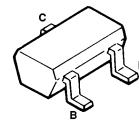


DC CORD
 (E30-4944-05): KDC-M6024Y/GY
 KDC-6024Y
 (E30-4958-05): KDC-M6024/G
 KDC-6024
 KDC-V6524

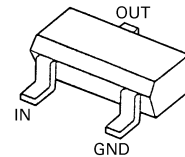
DTC143TUA
 UN5114
 UN5213
 UN5216
 2SA1036K
 2SA1576A



2SC4081



DTA114EUA
 DTA124EUA
 DTA143EUA
 DTC124EUA
 DTC144EUA



DAP202U
 DA204K
 DA204U
 DTA114YUA



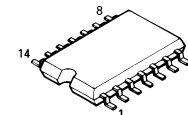
MA142WA
 MA142WK



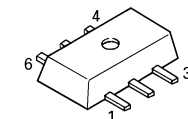
RD6.8M



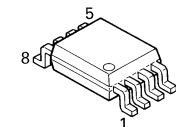
TC74HCT7007AF



MCH6101



NJM4580V



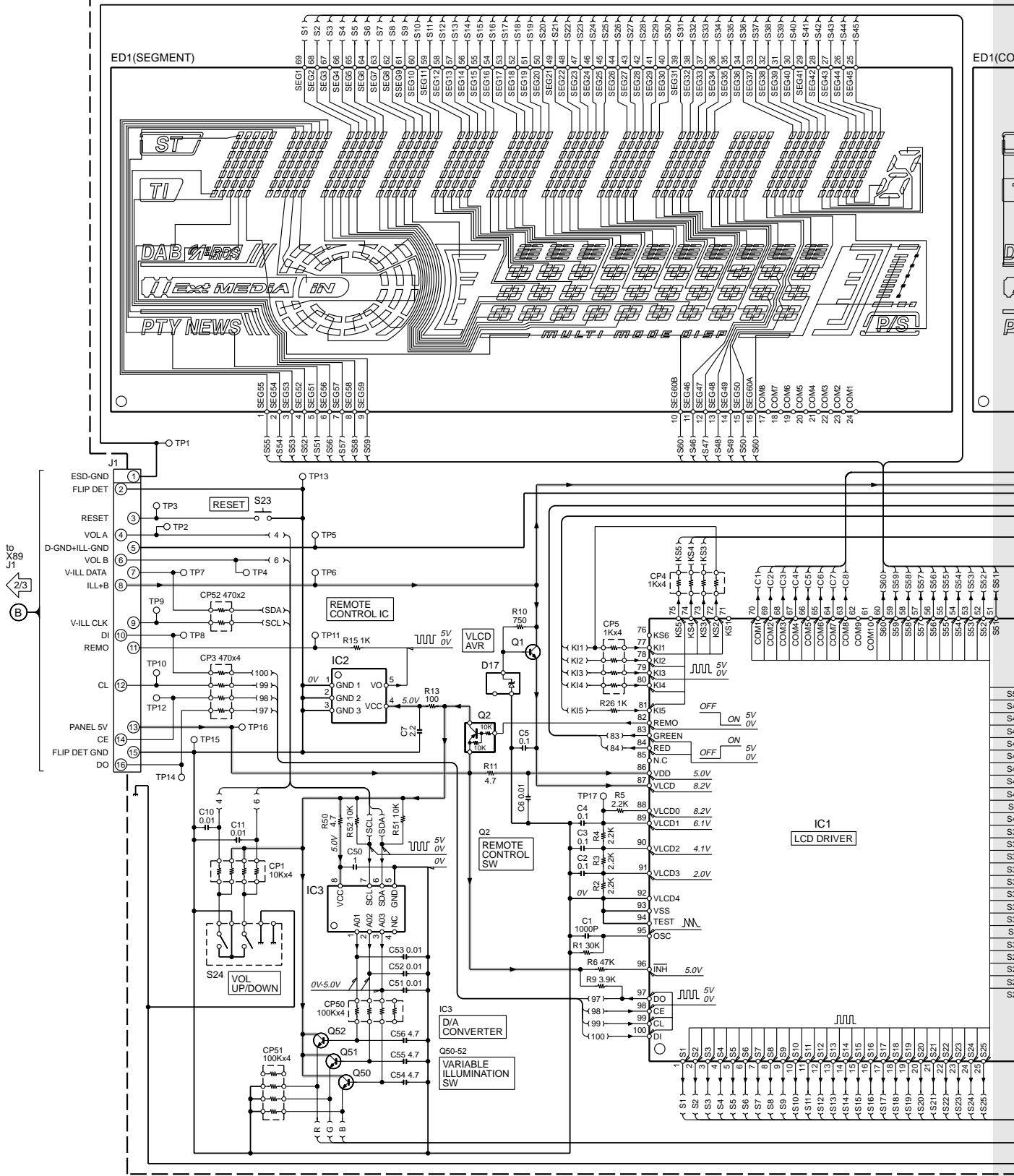
CAUTION : For continued safety, replace safety critical components only with manufacturer's recommended parts (refer to parts list).

△ Indicates safety critical components. To reduce the risk of electric shock, leakage-current or resistance measurements shall be carried out (exposed parts are acceptably insulated from the supply circuit) before the appliance is returned to the customer.

• DC voltages are as measured with a high impedance voltmeter. Values may vary slightly due to variations between individual instruments or/and units.

KDC-MPV6022/622/7023

SWITCH UNIT (X16-2040-10) (A/2)



1

2

3

4

5

6

7

KDC-MPV6022/622/7023

1

2

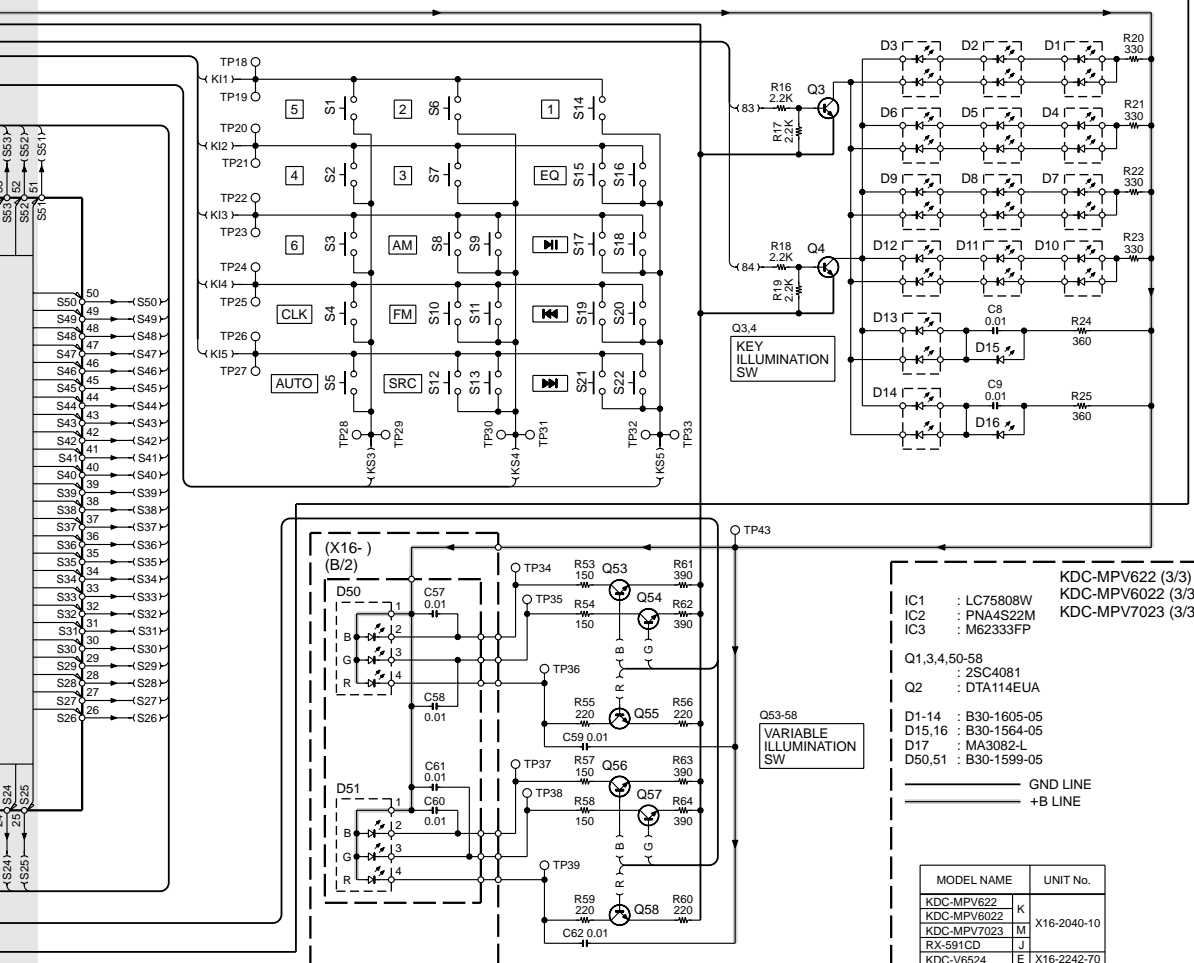
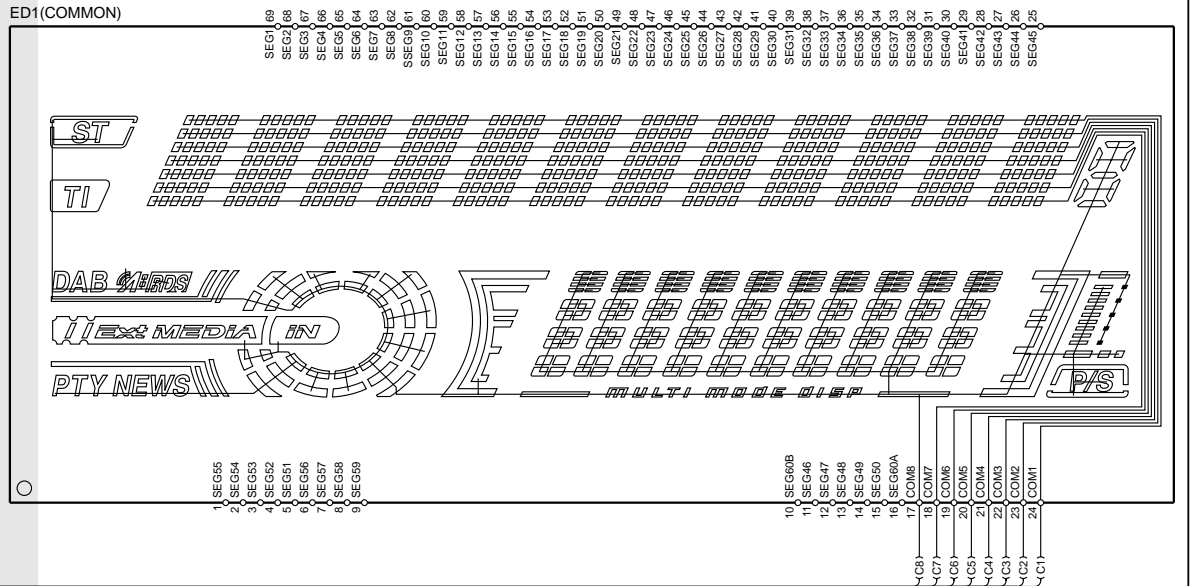
3

4

5

6

7



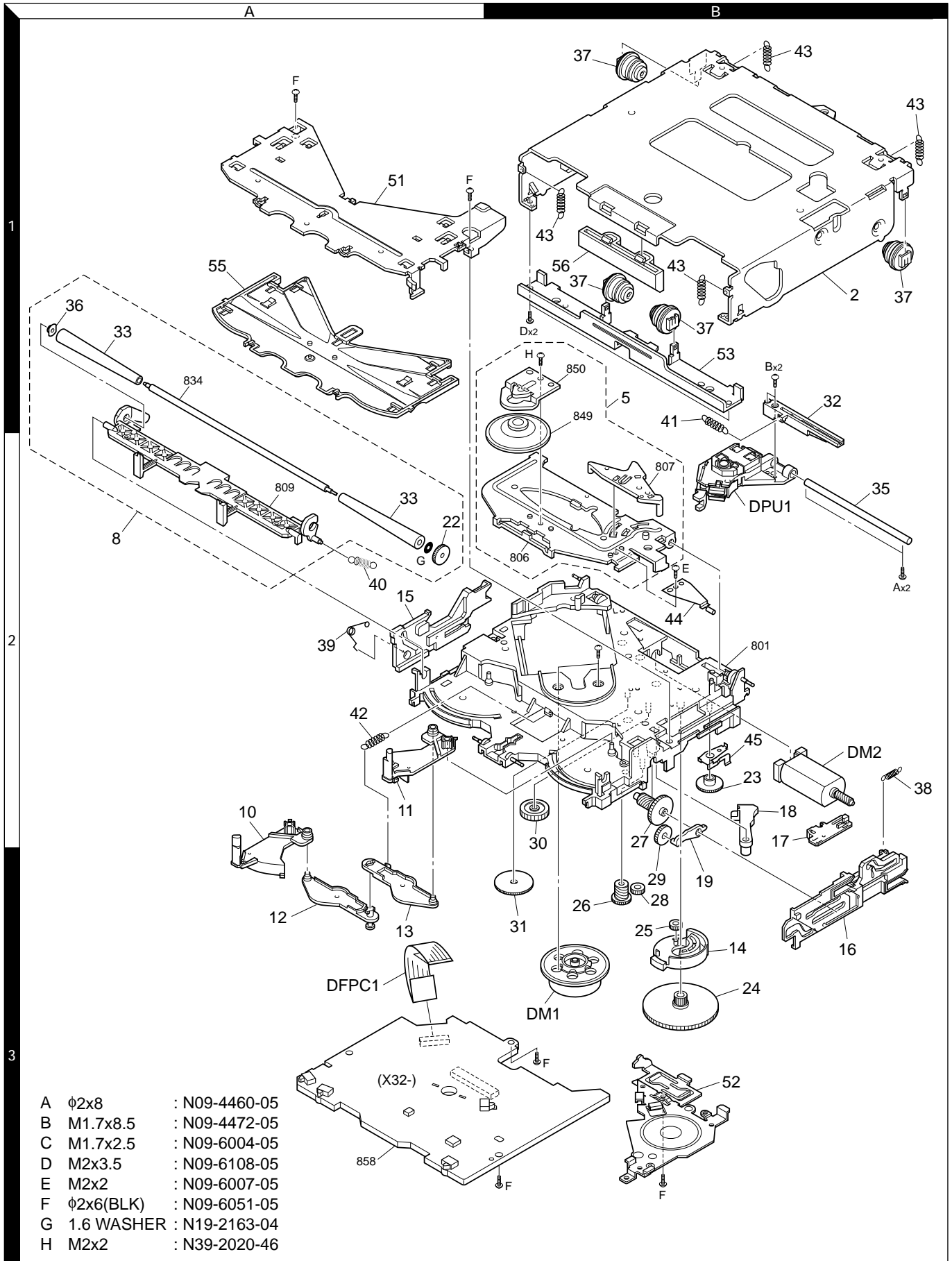
CAUTION : For continued safety, replace safety critical components only with manufacturer's recommended parts (refer to parts list).

△ Indicates safety critical components. To reduce the risk of electric shock, leakage-current or resistance measurements shall be carried out (exposed parts are acceptably insulated from the supply circuit) before the appliance is returned to the customer.

• DC voltages are as measured with a high impedance voltmeter. Values may vary slightly due to variations between individual instruments or/and units.

KDC-MPV6022/622/7023

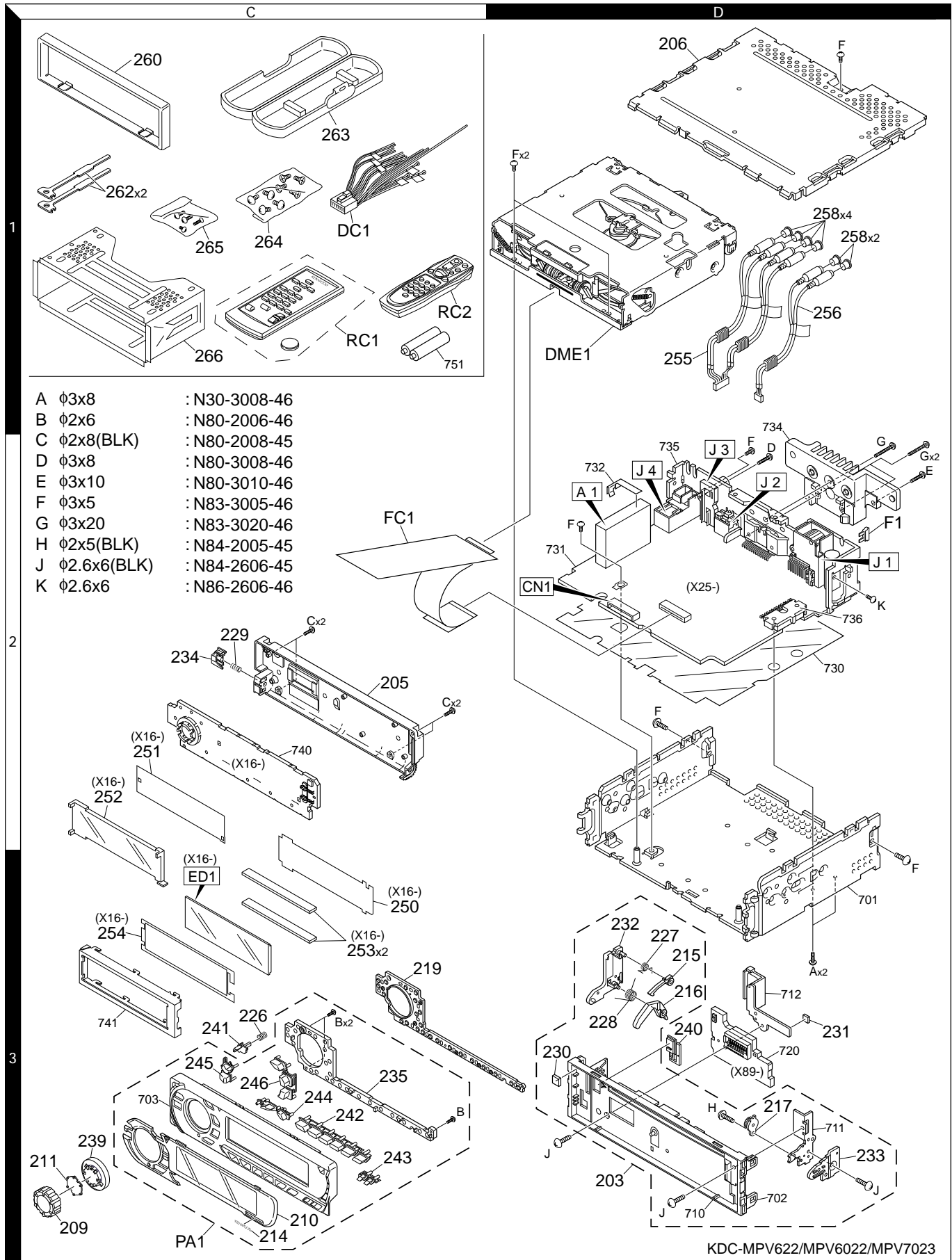
EXPLODED VIEW (MECHANISM)



Parts with the exploded numbers larger than 700 are not supplied.

KDC-MPV6022/622/7023

EXPLODED VIEW (UNIT)



KDC-MPV6022/622/7023

PARTS LIST

* New Parts

Parts without **Parts No.** are not supplied.

Les articles non mentionnes dans le **Parts No.** ne sont pas fournis.

Teile ohne **Parts No.** werden nicht geliefert.

Ref. No.	A d d	N e w	Parts No.	Description	Dest inati on
KDC-MPV6022/MPV622/MPV7023					
203	3D	*	A22-2982-02	SUB PANEL ASSY	
205	2C	*	A46-1778-01	REAR COVER	
206	1D	*	A52-0829-02	TOP PLATE	
263	1C	*	A02-1486-13	PLASTIC CABINET ASSY	
PA1	3C	*	A64-2826-02	PANEL ASSY	K7
PA1	3C	*	A64-2831-02	PANEL ASSY	M
PA1	3C	*	A64-2854-02	PANEL ASSY	K8
RC1	1C	*	A70-2026-05	REMOTE CONTROLLER ASSY(RC-410)	M
RC2	1C	*	A70-2040-05	REMOTE CONTROLLER ASSY(RC-505)	K7K8
-			B46-0100-50	WARRANTY CARD	
-			B46-0606-04	ID CARD	K7K8
-			B46-0612-14	ID CARD	M
-			B46-0653-03	USER CARD	K7K8
-		*	B64-2516-00	INST. MANUAL (ENG,FRE,SPA)	K7K8
-		*	B64-2517-00	INST. MANUAL (ENG,T-CHI)	M
-		*	B64-2518-00	INST. MANUAL (ARABIC)	M
209	3C	*	B09-0529-03	CAP	
210	3C	*	B10-4306-01	FRONT GLASS	K8
210	3C	*	B10-4308-01	FRONT GLASS	M
210	3C	*	B10-4327-01	FRONT GLASS	K7
211	3C	*	B19-2200-04	LIGHTING BOARD	
214	3C	*	B43-1284-04	BADGE	
260	1C	*	B07-3022-02	ESCUTCHEON	
215	3D		D10-4730-03	LEVER	
216	3D		D10-4731-03	LEVER	
217	3D		D39-0255-05	DAMPER	
262	1C		D10-4589-04	LEVER	
219	3C	*	E29-1927-02	CONDUCTIVE RUBBER	
255	1D	*	E30-6228-05	CORD WITH PINPLUG	K8M
256	1D	*	E30-6229-05	CORD WITH PINPLUG	K7
DC1	1C	*	E30-4940-05	DC CORD	
FC1	2C	*	E39-0438-05	FLAT CABLE (24PIN)	
258	1D		F29-0626-04	INSULATING COVER	
F1	2D		F52-0006-05	FUSE(MINI BLADE TYPE : 10A)	
226	3C		G01-3129-04	COMPRESSION SPRING	
227	3D	*	G01-3171-04	TORSION COIL SPRING	
228	3D	*	G01-3172-04	TORSION COIL SPRING	
229	2C	*	G01-3173-04	COMPRESSION SPRING	
230	3D	*	G13-1267-04	CUSHION	
231	3D	*	G13-1268-04	CUSHION	
-			H10-4856-12	POLYSTYRENE FOAMED FIXTURE	
-			H25-0329-04	PROTECTION BAG (280X450X0.03)	
-			H25-0337-04	PROTECTION BAG (180X300X0.03)	
-		*	H54-2781-03	ITEM CARTON CASE	K7
-		*	H54-2782-03	ITEM CARTON CASE	K8
-		*	H54-2784-03	ITEM CARTON CASE	M
232	3D	*	J19-5203-03	HOLDER	
233	3D	*	J19-5204-03	HOLDER	
234	2C	*	J19-5205-03	HOLDER	
235	3C	*	J19-5206-02	HOLDER	
266	1C	*	J21-9716-03	MOUNTING HARDWARE ASSY	

Ref. No.	A d d	N e w	Parts No.	Description	Dest inati on
239	3C	*	K23-1072-13	KNOB (VOL)	
240	3D	*	K24-4000-03	KNOB (EJECT)	
241	3C	*	K24-4002-04	KNOB (DOOR)	
242	3C	*	K25-1521-03	KNOB (1-6)	
243	3C	*	K25-1522-04	KNOB (DISP)	
244	3C	*	K25-1523-03	KNOB (PLAY,STOP)	
245	3C	*	K25-1524-03	KNOB (FM,AM)	
246	3C	*	K25-1525-03	KNOB (SRC,SKIP)	
264	1C		N99-1719-05	SCREW SET	
265	1C	*	N99-1730-15	SCREW SET	
A	3D		N30-3008-46	PAN HEAD MACHINE SCREW	
B	3C		N80-2006-46	PAN HEAD TAPTITE SCREW	
C	2C		N80-2008-45	PAN HEAD TAPTITE SCREW	
F	2D		N83-3005-46	PAN HEAD TAPTITE SCREW	
H	3D		N84-2005-45	PAN HEAD TAPTITE SCREW	
J	3D		N84-2606-45	PAN HEAD TAPTITE SCREW	
-		*	X16-2040-10	SWITCH UNIT	
-		*	X25-9570-12	ELECTRIC UNIT	K7
-		*	X25-9570-13	ELECTRIC UNIT	K8
-		*	X25-9570-21	ELECTRIC UNIT	M
-		*	X89-2570-10	DAUGHTER UNIT	
DME1	1D	*	X92-4670-00	MECHANISM ASSY (DXM-6410W)	
SWITCH UNIT (X16-2040-10)					
250	3C	*	B11-1396-04	OPTICAL DIFFUSER	
251	2C	*	B11-1397-04	REFLECTION SHEET	
252	2C	*	B19-2198-03	LIGHTING BOARD	
D1 -14			B30-1605-05	LED(2COLOR PG/RED)	
D15 ,16			B30-1564-05	LED(1608,BLUE)	
D50 ,51			B30-1599-05	LED(NICHIA FULL)	
ED1			B38-1105-05	LIQUID CRYSTAL	
C1			CK73GB1H102K	CHIP C 1000PF	K
C2 -5			CK73GB1C104K	CHIP C 0.10UF	K
C6			CK73GB1H103K	CHIP C 0.010UF	K
C7			CK73FB1A225K	CHIP C 2.2UF	K
C8 -11			CK73GB1H103K	CHIP C 0.010UF	K
C50			CK73GB0J105K	CHIP C 1.0UF	K
C51 -53			CK73GB1H103K	CHIP C 0.010UF	K
C54 -56			CK73FB0J475K	CHIP C 4.7UF	K
C57 -62			CK73GB1H103K	CHIP C 0.010UF	K
253	3C		E29-1925-04	CONDUCTIVE RUBBER	
J1			E59-0829-05	RECTANGULAR PLUG	
254	3C	*	F09-1823-04	SHEET	
CP1			R90-0714-05	MULTI-COMP 10K X4	
CP3			R90-1016-05	MULTI-COMP 470 X4	
CP50,51			R90-0720-05	MULTI-COMP 100K X4	
CP52			R90-1022-05	MULTI-COMP 470 X2	
R1			RK73GB2A303J	CHIP R 30K	J 1/10W
R2 -5			RK73GB2A222J	CHIP R 2.2K	J 1/10W
R6			RK73GB2A473J	CHIP R 47K	J 1/10W
R9			RK73GB2A392J	CHIP R 3.9K	J 1/10W
R10			RK73GB2A751J	CHIP R 750	J 1/10W
R11			RK73GB2A477J	CHIP R 4.7	J 1/10W

K7: KDC-MPV622 K8: KDC-MPV6022 M: KDC-MPV7023

△ indicates safety critical components.

KDC-MPV6022/622/7023

PARTS LIST

* New Parts

Parts without **Parts No.** are not supplied.

Les articles non mentionnes dans le **Parts No.** ne sont pas fournis.

Teile ohne **Parts No.** werden nicht geliefert.

SWITCH UNIT (X16-2040-10)

Ref. No.	A d d	N e w	Parts No.	Description	Dest inati on
R13			RK73GB2A101J	CHIP R 100 J 1/10W	
R15			RK73GB2A102J	CHIP R 1.0K J 1/10W	
R16 -19			RK73GB2A222J	CHIP R 2.2K J 1/10W	
R20 -23			RK73FB2B331J	CHIP R 330 J 1/8W	
R24 ,25			RK73FB2B361J	CHIP R 360 J 1/8W	
R50			RK73GB2A4R7J	CHIP R 4.7 J 1/10W	
R51 ,52			RK73GB2A103J	CHIP R 10K J 1/10W	
R53 ,54			RK73GB2A151J	CHIP R 150 J 1/10W	
R55 ,56			RK73GB2A221J	CHIP R 220 J 1/10W	
R57 ,58			RK73GB2A151J	CHIP R 150 J 1/10W	
R59 ,60			RK73GB2A221J	CHIP R 220 J 1/10W	
R61 -64			RK73GB2A391J	CHIP R 390 J 1/10W	
S24			T99-0446-05	ROTARY ENCODER	
D17			MA3082-L	ZENER DIODE	
IC1			LC75808W	MOS-IC	
IC2			PNA4S22M	ANALOGUE IC	
IC3			M62333FP	MOS-IC	
Q1			2SC4081	TRANSISTOR	
Q2			DTA114EUA	DIGITAL TRANSISTOR	
Q3 ,4			2SC4081	TRANSISTOR	
Q50 -58			2SC4081	TRANSISTOR	
ELECTRIC UNIT (X25-9570-12/13/21)					
C1			C90-5235-05	ELECTRO 2200UF 16WV	
C2			CK73GB1H103K	CHIP C 0.010UF K	
C3			CK73GB1H102K	CHIP C 1000PF K	
C4 -6			CK73GB1H103K	CHIP C 0.010UF K	
C21			CE04NW1A101M	ELECTRO 100UF 10WV	
C22 ,23			CE04NW1E100M	ELECTRO 10UF 25WV	
C24 ,25			CE04NW1C100M	ELECTRO 10UF 16WV	
C26			CE04NW1E100M	ELECTRO 10UF 25WV	
C27			CE04CW1H100M	ELECTRO 10UF 50WV	
C28			C90-2926-05	ELECTRO 220UF 16WV	
C29			CE04NW1C100M	ELECTRO 10UF 16WV	
C32			CK73GB1E223K	CHIP C 0.022UF K	
C33			CE04NW1H010M	ELECTRO 1.0UF 50WV	
C34			CK73GB1H103K	CHIP C 0.010UF K	
C41 ,42			C90-2963-05	ELECTRO 100UF 25WV	
C43 ,44			C90-5418-05	ELECTRO 220UF 16WV	
C45			CK73GB1A224K	CHIP C 0.22UF K	
C51 ,52			CK73GB1H103K	CHIP C 0.010UF K	
C111			CK73GB1H102K	CHIP C 1000PF K	
C119			CK73GB1H103K	CHIP C 0.010UF K	
C163			CK73GB1A224K	CHIP C 0.22UF K	
C201,202			CE04NW1HR47M	ELECTRO 0.47UF 50WV	
C203			CK73GB1H223K	CHIP C 0.022UF K	
C204			CK73GB1H103K	CHIP C 0.010UF K	
C205			CK73GB1A474K	CHIP C 0.47UF K	
C206			CC73GCH1H151J	CHIP C 150PF J	
C207,208			CE04NW1H010M	ELECTRO 1.0UF 50WV	K8M
C209			CE04NW1H2R2M	ELECTRO 2.2UF 50WV	
C210			CK73GB1H103K	CHIP C 0.010UF K	
C211			CE04NW1A470M	ELECTRO 47UF 10WV	
C212,213			CK73GB1C104K	CHIP C 0.10UF K	

Ref. No.	A d d	N e w	Parts No.	Description	Dest inati on
C214,215			CK73GB1H103K	CHIP C 0.010UF K	
C216,217			CE04NW1H010M	ELECTRO 1.0UF 50WV	
C218-221			CE04NW1H0R1M	ELECTRO 0.1UF 50WV	
C251-254			C90-5296-05	NP-ELECT 0.22UF 50WV	
C255			CE04NW1HR47M	ELECTRO 0.47UF 50WV	
C256			CE04NW1C220M	ELECTRO 22UF 16WV	
C257			CK73GB1C104K	CHIP C 0.10UF K	
C258			CE04NW1H010M	ELECTRO 1.0UF 50WV	
C301,302			CE04NW1HR47M	ELECTRO 0.47UF 50WV	
C303			CE04NW1A470M	ELECTRO 47UF 10WV	
C304			CK73GB1H103K	CHIP C 0.010UF K	
C351-354			CE04NW1C100M	ELECTRO 10UF 16WV	
C355			CE04NW1A470M	ELECTRO 47UF 10WV	K8M
C356,357			CK73GB1H103K	CHIP C 0.010UF K	
C358,359			CE04NW1HR47M	ELECTRO 0.47UF 50WV	K8M
C360			CK73GB1H103K	CHIP C 0.010UF K	K8M
C401-404			CK73GB1C104K	CHIP C 0.10UF K	
C405			CK73GB0J105K	CHIP C 1.0UF K	
C406			CK73GB1C104K	CHIP C 0.10UF K	
C407			CC73GCH1H220J	CHIP C 22PF J	
C408			CC73GCH1H270J	CHIP C 27PF J	
C409			CE04CW0J470M	ELECTRO 47UF 6.3WV	
C500			CK73FB1A225K	CHIP C 2.2UF K	
C501,502			CK73GB1H103K	CHIP C 0.010UF K	
C503			CK73GB1H472K	CHIP C 4700PF K	
CN1			E41-0167-05	PIN ASSY (18PIN)	
CN2			E41-0168-05	FLAT CABLE CONNECTOR (24PIN)	
CN3			E40-3238-05	PIN ASSY (3PIN)	K7
CN4			E40-3241-05	PIN ASSY (6PIN)	K8M
J1			E58-0863-15	RECTANGULAR RECEPTACLE	
J2			E56-0834-05	CYLINDRICAL RECEPTACLE	
J3			E63-0887-05	PIN JACK	
J4			E04-0312-05	RF COAXIAL CABLE RECEPTACLE	
P1			E23-0745-05	TERMINAL	
W1 -9			E31-0001-00	JUMPER WIRE	
W11 -35			E31-0001-00	JUMPER WIRE	
L1			L33-1170-05	CHOKE COIL ASSY	
L3			L33-1123-05	LINE FILTER COIL	
L6 -8			L40-4795-91	SMALL FIXED INDUCTOR (4.7UH,J)	
L10 ,11			L40-4795-91	SMALL FIXED INDUCTOR (4.7UH,J)	
L12			L33-1925-05	CHOKE COIL	
X1			L78-0821-05	RESONATOR (20MHz)	
X2			L77-2738-05	CRYSTAL RESONATOR (32.768KHz)	
D		2D	N80-3008-46	PAN HEAD TAPTITE SCREW	
E		2D	N80-3010-46	PAN HEAD TAPTITE SCREW	
F		2D	N83-3005-46	PAN HEAD TAPTITE SCREW	
G		2D	N83-3020-46	PAN HEAD TAPTITE SCREW	
K		2D	N86-2606-46	BINDING HEAD TAPTITE SCREW	
R1			RK73GB2A823J	CHIP R 82K J 1/10W	
R2			RK73GB2A363J	CHIP R 36K J 1/10W	
R3			RK73GB2A104J	CHIP R 100K J 1/10W	
R4			RK73FB2B203J	CHIP R 20K J 1/8W	
R5 ,6			RK73GB2A103J	CHIP R 10K J 1/10W	

K7: KDC-MPV622 K8: KDC-MPV6022 M: KDC-MPV7023

△ indicates safety critical components.

KDC-MPV6022/622/7023

PARTS LIST

* New Parts

Parts without **Parts No.** are not supplied.

Les articles non mentionnés dans le **Parts No.** ne sont pas fournis.

Teile ohne **Parts No.** werden nicht geliefert.

ELECTRIC UNIT (X25-9570-12/13/21)

Ref. No.	A d d	N e w	Parts No.	Description	Dest inati on
R7			RK73GB2A223J	CHIP R 22K J 1/10W	
R8			RD14DB2H332J	SMALL-RD 3.3K J 1/2W	
R9			RD14BB2C333J	RD 33K J 1/6W	
R10			RK73GB2A223J	CHIP R 22K J 1/10W	
R11			RK73GB2A104J	CHIP R 100K J 1/10W	
R12			RK73GB2A473J	CHIP R 47K J 1/10W	
R13			RK73GB2A562J	CHIP R 5.6K J 1/10W	
R21			RK73FB2B152J	CHIP R 1.5K J 1/8W	
R22 ,23			RD14BB2C472J	RD 4.7K J 1/6W	
R24 -28			RK73GB2A103J	CHIP R 10K J 1/10W	
R32			RK73GB2A104J	CHIP R 100K J 1/10W	
R34			RK73EB2E103J	CHIP R 10K J 1/4W	
R35			RK73GB2A104J	CHIP R 100K J 1/10W	
R36			RK73GB2A222J	CHIP R 2.2K J 1/10W	
R41 -44			RK73GB2A473J	CHIP R 47K J 1/10W	
R51 ,52			RK73GB2A222J	CHIP R 2.2K J 1/10W	
R53 -56			RK73GB2A102J	CHIP R 1.0K J 1/10W	
R57 ,58			RK73GB2A222J	CHIP R 2.2K J 1/10W	
R59			RK73GB2A101J	CHIP R 100 J 1/10W	
R60			RK73GB2A222J	CHIP R 2.2K J 1/10W	
R61 ,62			RK73GB2A104J	CHIP R 100K J 1/10W	
R63			RK73GB2A222J	CHIP R 2.2K J 1/10W	
R64 ,65			RK73GB2A104J	CHIP R 100K J 1/10W	
R67 ,68			RK73GB2A471J	CHIP R 470 J 1/10W	
R101			RK73GB2A102J	CHIP R 1.0K J 1/10W	
R102			RK73GB2A471J	CHIP R 470 J 1/10W	
R103			RK73GB2A472J	CHIP R 4.7K J 1/10W	
R104			RK73GB2A471J	CHIP R 470 J 1/10W	
R105			RK73GB2A472J	CHIP R 4.7K J 1/10W	
R106			RK73GB2A222J	CHIP R 2.2K J 1/10W	
R151			RK73GB2A471J	CHIP R 470 J 1/10W	
R152			RK73GB2A102J	CHIP R 1.0K J 1/10W	
R153			RK73GB2A471J	CHIP R 470 J 1/10W	
R154			RK73GB2A102J	CHIP R 1.0K J 1/10W	
R155			RK73GB2A222J	CHIP R 2.2K J 1/10W	
R156-158			RK73GB2A471J	CHIP R 470 J 1/10W	
R159			RK73GB2A102J	CHIP R 1.0K J 1/10W	
R160			RK73GB2A222J	CHIP R 2.2K J 1/10W	
R161			RK73GB2A225J	CHIP R 2.2M J 1/10W	
R162,163			RK73GB2A104J	CHIP R 100K J 1/10W	
R164,165			RK73GB2A473J	CHIP R 47K J 1/10W	
R166			RK73GB2A472J	CHIP R 4.7K J 1/10W	
R167			RK73GB2A474J	CHIP R 470K J 1/10W	
R168			RK73GB2A102J	CHIP R 1.0K J 1/10W	
R185,186			RK73GB2A474J	CHIP R 470K J 1/10W	
R187			RK73GB2A222J	CHIP R 2.2K J 1/10W	
R188			RK73GB2A473J	CHIP R 47K J 1/10W	
R201			RK73GB2A103J	CHIP R 10K J 1/10W	
R202-204			RK73GB2A472J	CHIP R 4.7K J 1/10W	
R205			RK73GB2A222J	CHIP R 2.2K J 1/10W	
R206-208			RK73GB2A102J	CHIP R 1.0K J 1/10W	
R209,210			RK73GB2A103J	CHIP R 10K J 1/10W	
R211,212			RK73GB2A333J	CHIP R 33K J 1/10W	
R251			RK73GB2A103J	CHIP R 10K J 1/10W	
R252,253			RK73GB2A473J	CHIP R 47K J 1/10W	

Ref. No.	A d d	N e w	Parts No.	Description	Dest inati on
R254			RK73GB2A152J	CHIP R 1.5K J 1/10W	
R255			RK73GB2A101J	CHIP R 100 J 1/10W	
R256			RK73GB2A103J	CHIP R 10K J 1/10W	
R257			RK73GB2A153J	CHIP R 15K J 1/10W	
R259-262			RK73GB2A223J	CHIP R 22K J 1/10W	
R301,302			RK73EB2E100J	CHIP R 10 J 1/4W	
R303			RK73EB2E101J	CHIP R 100 J 1/4W	
R304,305			RK73EB2E472J	CHIP R 4.7K J 1/4W	
R306			RK73EB2E4R7J	CHIP R 4.7 J 1/4W	
R307-309			RK73EB2E472J	CHIP R 4.7K J 1/4W	
R310,311			RK73EB2E101J	CHIP R 100 J 1/4W	
R312-315			RK73GB2A104J	CHIP R 100K J 1/10W	
R351,352			RK73GB2A361J	CHIP R 360 J 1/10W	
R355,356			RK73GB2A223J	CHIP R 22K J 1/10W	
R357,358			RK73EB2E181J	CHIP R 180 J 1/4W	
R359,360			RK73GB2A361J	CHIP R 360 J 1/10W	
R361,362			RK73GB2A223J	CHIP R 22K J 1/10W	
R363,364			RK73EB2E181J	CHIP R 180 J 1/4W	
R365			RK73FB2B4R7J	CHIP R 4.7 J 1/8W	K8M
R373			RK73GB2A102J	CHIP R 1.0K J 1/10W	K8M
R376,377			RK73GB2A912J	CHIP R 9.1K J 1/10W	K8M
R378,379			RK73FB2B102J	CHIP R 1.0K J 1/8W	K8M
R401-408			RK73GB2A104J	CHIP R 100K J 1/10W	
R409			RK73GB2A153J	CHIP R 15K J 1/10W	
R410			RK73GB2A104J	CHIP R 100K J 1/10W	K7K8
R410,411			RK73GB2A104J	CHIP R 100K J 1/10W	M
R412			RK73GB2A104J	CHIP R 100K J 1/10W	K7K8
R415,416			RK73GB2A104J	CHIP R 100K J 1/10W	
R419			RK73GB2A104J	CHIP R 100K J 1/10W	K7M
R419,420			RK73GB2A104J	CHIP R 100K J 1/10W	K8
R421			RK73GB2A104J	CHIP R 100K J 1/10W	K7M
R422			RK73GB2A103J	CHIP R 10K J 1/10W	
W105-108			R92-1252-05	CHIP R 0 OHM J 1/16W	K8M
S1			S74-0821-05	MICRO SWITCH	
D1			1N5393G-M6	DIODE	
D2 -4			MA4068(N)-M	ZENER DIODE	
D21			MA4082(N)-L	ZENER DIODE	
D22 -25			AM01Z	DIODE	
D26			DAN202U	DIODE	
D26			MA142WK	DIODE	
D41			SFPB-54V	DIODE	
D151-162			DA204K	DIODE	
D151-162			KDS226	DIODE	
D163			MA4062-L	ZENER DIODE	
D164			MA4120-L	ZENER DIODE	
D165			MA4062-L	ZENER DIODE	
D166			DA204U	DIODE	
D201,202			RD6.8M(B2)	ZENER DIODE	
D203-205			DAP202U	DIODE	
D203-205			MA142WA	DIODE	
D251-258			AM01Z	DIODE	
D269-271			1SS133	DIODE	
D301			MA4062-L	ZENER DIODE	
D303,304			MA4062-L	ZENER DIODE	

K7: KDC-MPV622 K8: KDC-MPV6022 M: KDC-MPV7023

△ indicates safety critical components.

KDC-MPV6022/622/7023

PARTS LIST

* New Parts

Parts without **Parts No.** are not supplied.

Les articles non mentionnes dans le **Parts No.** ne sont pas fournis.

Teile ohne **Parts No.** werden nicht geliefert.

ELECTRIC UNIT (X25-9570-12/13/21)

Ref. No.	A d d	N e w	Parts No.	Description	Dest inati on
D307,308 D309-311 D356 D357,358 D359			MA4062-L MA4068(N)-M MA4062-L MA4068(N)-M DA204U	ZENER DIODE ZENER DIODE ZENER DIODE ZENER DIODE DIODE	K8M K8M K8M
D401 IC1 IC2 IC3 IC4		*	1S5133 UPD703030GC012 TDA7411 BA4911-V4 TA8273H	DIODE MI-COM IC ANALOGUE IC ANALOGUE IC ANALOGUE IC	
IC6 IC8 IC9 Q1 -3 Q4		*	HD74HC27FP PST3436UL SI-8050JD 2SC4081 2SA1036K	MOS-IC MOS-IC ANALOGUE IC TRANSISTOR TRANSISTOR	
Q21 Q22 ,23 Q31 Q31 Q31			2SD2375 UMC2N DTC144EUA KRC404 UN5213	TRANSISTOR TRANSISTOR DIGITAL TRANSISTOR DIGITAL TRANSISTOR DIGITAL TRANSISTOR	
Q41 Q151 Q151 Q151 Q152			2SC4081 DTA114YUA KRA307 UN5114 2SA1576A	TRANSISTOR DIGITAL TRANSISTOR DIGITAL TRANSISTOR DIGITAL TRANSISTOR TRANSISTOR	
Q153 Q153 Q153 Q154 Q201			DTC144EUA KRC404 UN5213 2SA1577 DTC143TUA	DIGITAL TRANSISTOR DIGITAL TRANSISTOR DIGITAL TRANSISTOR TRANSISTOR DIGITAL TRANSISTOR	
Q201 Q201 Q350 Q350 Q350			KRC410 UN5216 DTA124EUA KRA303 UN5112	DIGITAL TRANSISTOR DIGITAL TRANSISTOR DIGITAL TRANSISTOR DIGITAL TRANSISTOR DIGITAL TRANSISTOR	
Q351,352 Q351,352 Q351,352 Q354 Q354			DTC143TUA KRC410 UN5216 DTA124EUA KRA303	DIGITAL TRANSISTOR DIGITAL TRANSISTOR DIGITAL TRANSISTOR DIGITAL TRANSISTOR DIGITAL TRANSISTOR	
Q354 Q355,356 Q355,356 Q355,356 TH1			UN5112 DTC143TUA KRC410 UN5216 PTH9C42BE471Q	DIGITAL TRANSISTOR DIGITAL TRANSISTOR DIGITAL TRANSISTOR DIGITAL TRANSISTOR POSITIVE RESISTOR	
A1		*	X86-3720-11	FRONT-END UNIT	
CD PLAYER UNIT (X32-5410-00)					
C1 C2 C3 C4 C5			C92-0628-05 CK73FB1A105K CK73FB1A225K CK73GB1H103K CC73GCH1H680J	CHIP-TAN 10UF 10WV CHIP C 1.0UF K CHIP C 2.2UF K CHIP C 0.010UF K CHIP C 68PF J	
C6 C7			CC73GCH1H681J CK73GB1H104K	CHIP C 680PF J CHIP C 0.10UF K	

Ref. No.	A d d	N e w	Parts No.	Description	Dest inati on
C8 C9 ,10 C11 C12 C13			CK73GB1H222K CK73GB1H104K CC73GCH1H681J CK73GB1H222K CC73GCH1H680J	CHIP C 2200PF K CHIP C 0.10UF K CHIP C 680PF J CHIP C 2200PF K CHIP C 68PF J	
C15 C16 C17 C18 C19 ,20			CK73EB1A475K CK73GB1H104K CK73GB1H331K CK73GB1H472K CK73GB1H104K	CHIP C 4.7UF K CHIP C 0.10UF K CHIP C 330PF K CHIP C 4700PF K CHIP C 0.10UF K	
C21 C22 C23 C26 C27			CK73EB1A475K CK73GB0J105K CK73FB1A225K CK73GB1H104K C92-0712-05	CHIP C 4.7UF K CHIP C 1.0UF K CHIP C 2.2UF K CHIP C 0.10UF K CHIP-TAN 22UF 6.3WV	
C28 C29 C30 C31 -35 C36			CK73GB1H102K CK73GB1H331K CK73GB1H152K CK73GB1H104K C92-0712-05	CHIP C 1000PF K CHIP C 330PF K CHIP C 1500PF K CHIP C 0.10UF K CHIP-TAN 22UF 6.3WV	
C41 C42 C45 C47 C48			CK73GB1H104K CK73EB1A475K CK73GB1H102K C92-0628-05 CK73GB1H104K	CHIP C 0.10UF K CHIP C 4.7UF K CHIP C 1000PF K CHIP-TAN 10UF 10WV CHIP C 0.10UF K	
C50 C52 C53 C55 C56			CK73GB1H104K CK73GB1H152K CK73GB1H104K CC73GCH1H470J CC73GCH1H680J	CHIP C 0.10UF K CHIP C 1500PF K CHIP C 0.10UF K CHIP C 47PF J CHIP C 68PF J	
C57 C59 C61 C63 C65			CK73GB1H104K CK73GB1H104K CK73GB1H104K CC73GCH1H020C CK73GB1H104K	CHIP C 0.10UF K CHIP C 0.10UF K CHIP C 0.10UF K CHIP C 2.0PF C CHIP C 0.10UF K	
C67 C68 C70 C74 C75			CK73GB1H222K CC73GCH1H060D CK73GB1H104K CK73GB1H682K CK73GB1H332K	CHIP C 2200PF K CHIP C 6.0PF D CHIP C 0.10UF K CHIP C 6800PF K CHIP C 3300PF K	
C76 C77 C78 C79 -82 C83			CK73GB1H103K CK73GB1H104K CK73EB1A475K CK73GB1H152K CK73GB1H104K	CHIP C 0.010UF K CHIP C 0.10UF K CHIP C 4.7UF K CHIP C 1500PF K CHIP C 0.10UF K	
C84 C85 C87 C88			C92-0628-05 CK73GB1H104K CK73EB1A475K CK73GB1H104K	CHIP-TAN 10UF 10WV CHIP C 0.10UF K CHIP C 4.7UF K CHIP C 0.10UF K	
CN1 CN1 CN2 CN2			E40-9527-05 E41-0213-05 E40-9536-05 E41-0193-05	FLAT CABLE CONNECTOR (16PIN) FLAT CABLE CONNECTOR (16PIN) FLAT CABLE CONNECTOR (24PIN) FLAT CABLE CONNECTOR (24PIN)	
L1			L92-0329-05	CHIP FERRITE	

K7: KDC-MPV622 K8: KDC-MPV6022 M: KDC-MPV7023

KDC-MPV6022/622/7023

PARTS LIST

* New Parts

Parts without **Parts No.** are not supplied.

Les articles non mentionnes dans le **Parts No.** ne sont pas fournis.

Teile ohne **Parts No.** werden nicht geliefert.

CD PLAYER UNIT (X32-5410-00)

Ref. No.	A d d	N e w	Parts No.	Description	Dest inati on
L5			L92-0329-05	CHIP FERRITE	
X1			L78-0851-05	RESONATOR (16.934MHZ)	
X2			L78-0862-05	RESONATOR (16.00MHZ)	
CP1 ,2			R90-1019-05	MULTI-COMP 100 X2	
CP4			R90-0719-05	MULTI-COMP 4.7K X2	
CP5			R90-0737-05	MULTI-COMP 100K X2	
CP6			R90-1019-05	MULTI-COMP 100 X2	
CP7			R90-0737-05	MULTI-COMP 100K X2	
CP13			R90-0720-05	MULTI-COMP 100K X4	
CP15			R90-0718-05	MULTI-COMP 4.7K X4	
CP16-22			R90-1014-05	MULTI-COMP 100 X4	
CP23			R90-0714-05	MULTI-COMP 10K X4	
CP24			R90-0720-05	MULTI-COMP 100K X4	
R1			R92-3044-05	CHIP R 18K D 1/10W	
R2			R92-3041-05	CHIP R 11K D 1/10W	
R3			RK73FB2B303J	CHIP R 30K J 1/8W	
R4			RK73GB2A222J	CHIP R 2.2K J 1/10W	
R5			RK73FB2B272J	CHIP R 2.7K J 1/8W	
R6			RK73FB2B331J	CHIP R 330 J 1/8W	
R7 ,8			RK73FB2B752J	CHIP R 7.5K J 1/8W	
R9			RK73FB2B272J	CHIP R 2.7K J 1/8W	
R10			RK73FB2B331J	CHIP R 330 J 1/8W	
R11			R92-3041-05	CHIP R 11K D 1/10W	
R12			RK73FB2B303J	CHIP R 30K J 1/8W	
R13			R92-3044-05	CHIP R 18K D 1/10W	
R14			RK73GB2A472J	CHIP R 4.7K J 1/10W	
R16			RK73GB2A123J	CHIP R 12K J 1/10W	
R17			RK73GB2A133J	CHIP R 13K J 1/10W	
R18			RK73GB2A472J	CHIP R 4.7K J 1/10W	
R19 ,20			RK73GB2A123J	CHIP R 12K J 1/10W	
R21			RK73GB2A432J	CHIP R 4.3K J 1/10W	
R22			RK73GB2A133J	CHIP R 13K J 1/10W	
R23 ,24			RK73GB2A104J	CHIP R 100K J 1/10W	
R25			RK73GB2A102J	CHIP R 1.0K J 1/10W	
R26			RK73GB2A104J	CHIP R 100K J 1/10W	
R27			RK73GB2A102J	CHIP R 1.0K J 1/10W	
R28			RK73GB2A103J	CHIP R 10K J 1/10W	
R29			RK73GB2A133J	CHIP R 13K J 1/10W	
R30			RK73GB2A102J	CHIP R 1.0K J 1/10W	
R31			RK73GB2A472J	CHIP R 4.7K J 1/10W	
R32			RK73GB2A103J	CHIP R 10K J 1/10W	
R33			RK73GB2A104J	CHIP R 100K J 1/10W	
R34			RK73GB2A183J	CHIP R 18K J 1/10W	
R35			RK73GB2A102J	CHIP R 1.0K J 1/10W	
R36			RK73GB2A163J	CHIP R 16K J 1/10W	
R38			RK73GB2A104J	CHIP R 100K J 1/10W	
R39 -41			RK73GB2A103J	CHIP R 10K J 1/10W	
R42 ,43			RK73GB2A104J	CHIP R 100K J 1/10W	
R46			RK73GB2A4R7J	CHIP R 4.7 J 1/10W	
R47			RK73GB2A104J	CHIP R 100K J 1/10W	
R49			RK73GB2A104J	CHIP R 100K J 1/10W	
R50			RK73GB2A102J	CHIP R 1.0K J 1/10W	
R51			RK73GB2A103J	CHIP R 10K J 1/10W	
R52			RK73GB2A104J	CHIP R 100K J 1/10W	

Ref. No.	A d d	N e w	Parts No.	Description	Dest inati on
R53			RK73GB2A473J	CHIP R 47K J 1/10W	
R55			RK73GB2A103J	CHIP R 10K J 1/10W	
R57			RK73GB2A472J	CHIP R 4.7K J 1/10W	
R59			RK73GB2A274J	CHIP R 270K J 1/10W	
R62 ,63			RK73GB2A302J	CHIP R 3.0K J 1/10W	
R67			RK73GB2A682J	CHIP R 6.8K J 1/10W	
R69			RK73GB2A333J	CHIP R 33K J 1/10W	
R70			RK73GB2A103J	CHIP R 10K J 1/10W	
R71 ,72			RK73GB2A101J	CHIP R 100 J 1/10W	
R73			RK73GB2A241J	CHIP R 240 J 1/10W	
R75			RK73GB2A103J	CHIP R 10K J 1/10W	
R76			RK73GB2A101J	CHIP R 100 J 1/10W	
R77			RK73GB2A102J	CHIP R 1.0K J 1/10W	
R78			RK73GB2A104J	CHIP R 100K J 1/10W	
W1			R92-1252-05	CHIP R 0 OHM J 1/16W	
S1 ,2			S68-0863-05	PUSH SWITCH	
S3			S68-0862-05	PUSH SWITCH	
D1			DAP202U	DIODE	
IC1			TAR5S33	ANALOGUE IC	
IC2			NJM4580V	ANALOGUE IC	
IC4			BA5824FP	ANALOGUE IC	
IC6			L88MS33T	ANALOGUE IC	
IC7			703033BYGC-J02	MI-COM IC	
IC8			TC74HCT7007AF	MOS-IC	
IC11			UPD63760GJ	MOS-IC	
IC13			IS41LV16257	MEMORY IC	
IC13			MSM51V4265EP70	MOS-IC	
Q1			DTA143XUA	DIGITAL TRANSISTOR	
Q2 ,3			DTC124EUA	DIGITAL TRANSISTOR	
Q4			MCH6101	TRANSISTOR	
Q5			DTA143EUA	DIGITAL TRANSISTOR	
DAUGHTER UNIT (X89-2570-10)					
D1			B30-1566-05	LED (1608,RED)	
C1			CK73GB1H103K	CHIP C 0.010UF K	
CN1			E41-0169-05	SOCKET FOR PIN ASSY (18PIN)	
J1			E58-0865-05	RECTANGULAR RECEPTACLE (16PIN)	
R1			RK73EB2E102J	CHIP R 1.0K J 1/4W	
R2 -5			RK73EB2E471J	CHIP R 470 J 1/4W	
R6 ,7			RK73EB2E102J	CHIP R 1.0K J 1/4W	
R8			RK73EB2E241J	CHIP R 240 J 1/4W	
R9 ,10			RK73EB2E471J	CHIP R 470 J 1/4W	
R11 -13			RK73EB2E102J	CHIP R 1.0K J 1/4W	
S1			S70-0871-05	TACT SWITCH	
MECHANISM ASSY (X92-4670-00)					
2	1B		A10-4827-12	CHASSIS	
5	1B		D10-4576-33	ARM ASSY	
8	1A		D10-4579-03	LEVER ASSY	
10	3A		D10-4581-13	ARM	
11	2A		D10-4582-13	ARM	
12	3A		D10-4583-03	ARM	

K7: KDC-MPV622 K8: KDC-MPV6022 M: KDC-MPV7023

△ indicates safety critical components.

KDC-MPV6022/622/7023

PARTS LIST

* New Parts

Parts without **Parts No.** are not supplied.

Les articles non mentionnes dans le **Parts No.** ne sont pas fournis.

Teile ohne **Parts No.** werden nicht geliefert.

MECHANISM ASSY (X92-4670-00)

Ref. No.	A d d	N e w	Parts No.	Description	Dest inati on
13	3A		D10-4584-03	ARM	
14	2A		D10-4585-03	ARM	
15	2A		D10-4586-13	SLIDER	
16	3B		D10-4587-22	SLIDER	
17	3B		D10-4588-03	SLIDER	
18	3B		D10-4595-04	ARM	
19	3B		D10-4596-14	ARM	
22	2A		D13-2151-04	GEAR	
23	2B		D13-2152-04	GEAR	
24	3B		D13-2153-04	GEAR	
25	3B		D13-2154-04	GEAR	
26	3B		D13-2155-04	WORM	
27	3B		D13-2156-14	GEAR	
28	3B		D13-2157-04	GEAR	
29	3B		D13-2158-04	GEAR	
30	3B		D13-2168-04	GEAR	
31	3B		D13-2171-04	GEAR	
32	2B		D13-2172-03	RACK (GEAR)	
33	2A		D14-0759-04	ROLLER	
35	2B		D21-2382-04	SHAFT	
36	1A		D23-0954-04	RETAINER	
37	1B		D39-0246-05	DAMPER	
38	2B		G01-3072-04	EXTENSION SPRING	
39	2A		G01-3073-04	TORSION COIL SPRING	
40	2A		G01-3074-04	EXTENSION SPRING	
41	2B		G01-3075-04	EXTENSION SPRING	
42	2A		G01-3076-04	EXTENSION SPRING	
43	1B		G01-3077-04	EXTENSION SPRING	
44	2B		G02-1399-04	FLAT SPRING	
45	2B		G02-1408-04	FLAT SPRING	
51	1A		J21-9676-22	MOUNTING HARDWARE	
52	3B		J21-9677-02	MOUNTING HARDWARE	
53	1B		J21-9678-03	MOUNTING HARDWARE	
55	1A		J90-1001-11	GUIDE	
56	1B		J90-1023-03	GUIDE	
DFPC1	2B		J84-0141-05	FLEXIBLE PRINTED WIRING BOARD	
A	2B		N09-4460-05	TAPTITE SCREW (OVAL P TAPTIT)	
B	1B		N09-4472-05	MACHINE SCREW (M1.7X8.5)	
C	2B		N09-6004-05	MACHINE SCREW (M1.7X2.5 IB-L)	
D	1B		N09-6108-05	MACHINE SCREW (M2*3.5TYPE3)	
E	2B		N09-6007-05	MACHINE SCREW (PAN M2X2)	
F	1A		N09-6051-05	TAPTITE SCREW (BIND P 2X5)	
G	2A		N19-2163-04	FLAT WASHER	
H	1B		N39-2020-46	PAN HEAD MACHIN SCREW	
DM1	3B		T42-1066-04	DC MOTOR ASSY (SPINDOL)	
DM2	2B		T42-1067-04	DC MOTOR ASSY (LOADING)	
-	3A		X32-5410-00	CD PLAYER UNIT	
DPU1	2B		X93-2010-00	OPTICAL PICKUP ASSY	

Ref. No.	A d d	N e w	Parts No.	Description	Dest inati on
----------	-------------	-------------	-----------	-------------	---------------------

K7: KDC-MPV622 K8: KDC-MPV6022 M: KDC-MPV7023

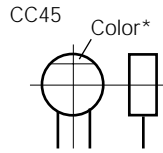
KDC-MPV6022/622/7023

PARTS LIST

CAPACITORS

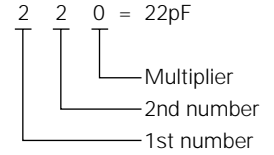
CC 45 TH 1H 220 J
 1 2 3 4 5 6

- 1 = Type ... ceramic, electrolytic, etc.
- 2 = Shape ... round, square, etc.
- 3 = Temp. coefficient
- 4 = Voltage rating
- 5 = Value
- 6 = Tolerance



• Capacitor value

- 010 = 1pF
- 100 = 10pF
- 101 = 100pF
- 102 = 1000pF = 0.001μF
- 103 = 0.01μF



• Temperature coefficient

1st Word	C	L	P	R	S	T	U
Color*	Black	Red	Orange	Yellow	Green	Blue	Violet
ppm/°C	0	-80	-150	-220	-330	-470	-750

2nd Word	G	H	J	K	L
ppm/°C	±30	±60	±120	±250	±500

Example : CC45TH = -470±60ppm/°C

• Tolerance (More than 10pF)

Code	C	D	G	J	K	M	X	Z	P	No code
(%)	±0.25	±0.5	±2	±5	±10	±20	+40 -20	+80 -20	+100 -0	More than 10μF : -10~+50 Less than 4.7μF : -10~+75

(Less than 10pF)

Code	B	C	D	F	G
(pF)	±0.1	±0.25	±0.5	±1	±2

• Voltage rating

2nd word \ 1st word	A	B	C	D	E	F	G	H	J	K	V
0	1.0	1.25	1.6	2.0	2.5	3.15	4.0	5.0	6.3	8.0	-
1	10	12.5	16	20	25	31.5	40	50	63	80	35
2	100	125	160	200	250	315	400	500	630	800	-
3	1000	1250	1600	2000	2500	2150	4000	5000	6300	8000	-

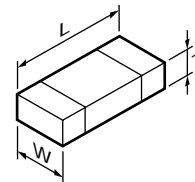
CHIP CAPACITORS

(EX) CC 73 F SL 1H 000 J
 1 2 3 4 5 6 7
 (Chip) (CH, RH, UJ, SL)

(EX) CK 73 F F 1H 000 Z
 1 2 3 4 5 6 7
 (Chip) (B, F)

- Refer to the table above.
- 1 = Type
- 2 = Shape
- 3 = Dimension
- 4 = Temp. coefficient
- 5 = Voltage rating
- 6 = Value
- 7 = Tolerance

• Dimension



Chip capacitor

Code	L	W	T
Empty	5.6±0.5	5.0±0.5	Less than 2.0
A	4.5±0.5	3.2±0.4	Less than 2.0
B	4.5±0.5	2.0±0.3	Less than 2.0
C	4.5±0.5	1.25±0.2	Less than 1.25
D	3.2±0.4	2.5±0.3	Less than 1.5
E	3.2±0.2	1.6±0.2	Less than 1.25
F	2.0±0.3	1.25±0.2	Less than 1.25
G	1.6±0.2	0.8±0.2	Less than 1.0
H	1.0±0.05	0.5±0.05	0.5±0.05

Chip resistor

Code	L	W	T
E	3.2±0.2	1.6±0.2	1.0
F	2.0±0.3	1.25±0.2	1.0
G	1.6±0.2	0.8±0.2	0.5±0.1
H	1.0±0.05	0.5±0.05	0.35±0.05

RESISTORS

• Chip resistor (Carbon)

(EX) RD 73 E B 2B 000 J
 1 2 3 4 5 6 7
 (Chip) (B, F)

• Carbon resistor (Normal type)

(EX) RD 14 B B 2C 000 J
 1 2 3 4 5 6 7
 (Chip) (B, F)

- 1 = Type ... ceramic, electrolytic, etc.
- 2 = Shape ... round, square, etc.
- 3 = Dimension
- 4 = Temp. coefficient
- 5 = Voltage rating
- 6 = Value
- 7 = Tolerance

• Rating wattage

Code	Wattage	Code	Wattage	Code	Wattage
1J	1/16W	2C	1/6W	3A	1W
2A	1/10W	2E	1/4W	3D	2W
2B	1/8W	2H	1/2W		

KDC-MPV6022/622/7023

SPECIFICATIONS

	KDC-MPV6022/MPV622 (K type)	KDC-MPV7023 (M type)
FM tuner section		
Frequency range (Frequency step)	87.9MHz~107.9MHz (200kHz) -	87.9MHz~107.9MHz (200kHz) 87.5MHz~108.0MHz (50kHz)
Channel space selection	50kHz/100kHz	50kHz/100kHz
Usable sensitivity (S/N 30dB)	9.3dBf (0.8μV/75Ω)	9.3dBf (0.8μV/75Ω)
Quieting sensitivity (S/N 50dB)	15.2dBf (1.6μV/75Ω)	15.2dBf (1.6μV/75Ω)
Frequency response (±3.0dB)	30Hz~15kHz	30Hz~15kHz
S/N (MONO)	70dB	70dB
Selectivity	≥80dB (±400kHz)	≥80dB (±400kHz)
Stereo separation (1kHz)	40dB	40dB
AM tuner section		
Frequency range (Frequency step)	530kHz~1700kHz (10kHz) -	530kHz~1700kHz (10kHz) 531kHz~1611kHz (9kHz)
Channel space selection	9kHz/10kHz	9kHz/10kHz
Usable sensitivity (S/N 20dB)	28dBμ (25μV)	28dBμ (25μV)
CD section		
Laser diode	GaAlAs (λ=780nm)	GaAlAs (λ=780nm)
Digital filter (D/A)	8 Times Over Sampling	8 Times Over Sampling
D/A converter	1 Bit	1 Bit
Spindle speed	1000rpm~400rpm (CLV .2times)	1000rpm~400rpm (CLV .2times)
Wow & Flutter	Below measurable limit	Below measurable limit
Frequency response	10Hz~20kHz (±1dB)	10Hz~20kHz (±1dB)
T.H.D.	0.01% (1kHz)	0.01% (1kHz)
S/N (1kHz)	105dB	105dB
Dynamic range	93dB	93dB
Channel separation	96dB	96dB
MP3 decod	Compliant with MPEG-1.0/2.0/2.5 Audio Layer3	Compliant with MPEG-1.0/2.0/2.5 Audio Layer3
Audio section		
Preout level/Load	2.0V/10kΩ (CD-CH)	2.0V/10kΩ (CD-CH)
Preout impedance	≤600Ω	≤600Ω
Maximum power	50Wx4	50Wx4
Full bandwidth power	22Wx4 (at less than 1%THD)	22Wx4 (at less than 1%THD)
TONE section		
Bass	100Hz ±10dB	100Hz±10dB
Middle	1kHz ±10dB	1kHz ±10dB
Treble	10kHz ±10dB	10kHz±10dB
General		
Operating voltage	14.4V (11V~16V allowable)	14.4V (11V~16V allowable)
Current consumption	10A	10A
Installation size (WxHxD)	182x53x155 (mm) 7 -3/16 x 2-1/16 x 6-1/10(inch)	182x53x155 (mm) 7 -3/16 x 2-1/16 x 6-1/10(inch)
Weight	1.20kg (2.64lbs)	1.20kg (2.64lbs)

KENWOOD follows a policy of continuous advancements in development. For this reason specifications may be changed without notice.

KENWOOD CORPORATION

2967-3, Ishikawa-machi, Hachioji-shi, Tokyo 192-8525, Japan

KENWOOD USA CORPORATION

P.O. BOX 22745, 2201 East Dominguez Street, Long Beach, CA90801-5745, U.S.A.

KENWOOD ELECTRONICS CANADA INC.

6070 Kestrel Road, Mississauga, Ontario, Canada L5T 1S8

KENWOOD ELECTRONICS LATIN AMERICA S.A.

P.O. Box 55-2791 Paitilla, Plaza Credicorp Bank Panama, Piso 9, Oficina 901, Calle 50, Panama, Rep. de Panama

KENWOOD ELECTRONICS BRASIL LTDA.

Alameda Ministro Rocha Azevedo No. 456, Edifício Jaú, 10o Andar, Cerqueira César, Cep 0140-001, São Paulo-SP-Brasil

KENWOOD ELECTRONICS UK LIMITED

Kenwood House, Dwight Road, Watford, Herts, WD18 9EB, United Kingdom

KENWOOD ELECTRONICS DEUTSCHLAND GMBH

Rembrücker-Str. 15, 63150 Heusenstamm, Germany

KENWOOD ELECTRONICS FRANCE S.A.

13, Boulevard Ney, 75018 Paris, France

KENWOOD ELECTRONICS BELGIUM N.V.

Leuvensesteenweg 248 J, 1800 Vilvoorde, Belgium

KENWOOD ELECTRONICS ITALIA S.p.A.

Via G. Sirtori 7/9, 20129 Milano, Italy

KENWOOD IBÉRICA S.A.

Bolivia, 239-08020 Barcelona, Spain

KENWOOD ELECTRONICS AUSTRALIA PTY. LTD. (A.C.N. 001 499 074)

16 Giffnock Avenue, Centrecourt Estate, North Ryde, N.S.W. 2113, Australia

KENWOOD ELECTRONICS (HONG KONG) LTD.

Unit 3712-3724, Level 37, Tower 1, Metroplaza, 223 Hing Fong Road, Kwai Fong, N.T., Hong Kong

KENWOOD ELECTRONICS GULF FZE

P.O. Box 61318, Jebel Ali, Dubai, U.A.E.

KENWOOD ELECTRONICS (THAILAND) CO., LTD.

2019 New Pechburi Road, Bangkapi, Huaykwang, Bangkok, 10320 Thailand

KENWOOD ELECTRONICS SINGAPORE PTE. LTD.

1 Genting Lane, #07-00, Kenwood Building, Singapore, 349544

KENWOOD ELECTRONICS (MALAYSIA) SDN BHD

#4.01 Level 4, Wisma Academy Lot 4A, Jalan 19/1, 46300 Petaling Jaya, Selangor Darul Ehsan, Malaysia